

Techcon Systems TS6500CIM Automatic Techkit Mixer

User Guide
English, German, French



CONTENTS

	Page Number
1. Safety.....	3
2. Unpacking and Inspection.....	3
3. Description	4
4. Symbol Definitions.....	4
5. Emergency Stop.....	4
6. Specifications.....	5
7. Features and Function.....	6-10
7.1 Features.....	6-8
7.2 Operation Function	9-10
8. Setup and Operation.....	11-17
8.1 Voltage Selection and Fuse Replacement	11
8.2 Plastic Tray Installation.....	12
8.3 Spindle and Extension Installation.....	12-13
8.4 Turn on the Unit.....	13-14
8.5 Cartridge Kit Preparation.....	14
8.6 Loading the Cartridge Kit.....	15
8.7 Mix Cycle Program Setup.....	16
8.8 Start the Unit.....	16
8.9 Unloading the Cartridge Kit.....	16
8.10 Manual Mode.....	16-17
9. Speed Control.....	17
9.1 For Main Cylinder.....	17
9.2 For Injection Rod.....	17
10. Troubleshooting.....	18
11. Program Selection.....	19
12. Cycle Counter Reset.....	19
13. Cartridge Holder Installation.....	19-20
14. Maintenance	21
15. Warranty.....	21
16. Appendix 16.1 Spare Parts List.....	22-24
16.2 Techkit Part Number Chart.....	25

1. SAFETY

Intended Use:

WARNING: Use of this equipment in ways other than those described in this User Guide may result in injury to persons or damage to property. Use this equipment only as described in this User Guide.

OK International cannot be responsible for injuries or damages resulting from unintended applications of its equipment. Unintended uses may result from taking the following actions:

- Making changes to equipment that has not been recommended in the User Guide
- Using incompatible or damaged replacement parts. Using unapproved accessories or auxiliary equipment

Safety Precautions:

- Do not operate this unit in excess of maximum ratings/settings
- Always wear appropriate personal protective clothing or apparel
- Care must be taken to prevent the ingress of corrosive or flammable fluid back into the Refer to Material Safety Data Sheet for proper handling and safety precautions
- Do not smoke or use open flame when flammable materials are being dispensed
- This equipment is for indoor use only.

2. UNPACKING AND INSPECTION:

Carefully open the crate and examine all items contained inside.

The following items should be included:

1. TS6500CIM Main Assembly – in the main compartment
2. Accessory parts – packaged in a box and stored in an accessory compartment, which include:

Description (Quantity)	Description (Quantity)
Cartridge Holder Assembly (1)	Air Filter (1)
Plunger Assembly (1)	Wrench holder (1)
Tool Holder (1)	User Guide (1)
Plunger Holder (1)	Air Hose (1)
Spare O-ring (5)	Fuse (1)
Spindle Assembly (1)	Power Cord (1)
Spindle Extension (1)	Screws (8)

3. DESCRIPTION

The TS6500CIM Series Automatic Techkit Mixer provides complete automatic mixing of two-component materials packaged in cartridge.

Equipped with a universal power supply, the TS6500 mixer is immediately usable anywhere in the world. The automatic fluid sensing device makes it very simple for the operator to install and setup all cartridge kit sizes. The user friendly firmware provides up to 10 programmable mixing sequences with storage for 10 profiles.




The TS6500CIM Series is available in five versions:

- TS6500CIM-6 for 2.5oz. (60ml), 6.0oz. (160ml) and 8.0oz. (220ml) Kit
- TS6500CIM-20 for 20oz. (550ml) Kit
- TS6500CIM-RS-6 for 6.0oz. (160ml) Kit with reduced motor speed (116 RPM)
- TS6500CIM-SMR-6 for 6.0oz. (160ml) Kit with steel mix rod
- TS6500CIM-SMR-20 for 20oz. (550ml) Kit with steel mix rod

The following conversion kits are also available for your conveniences:

- CK6500-6 Conversion kit for 2.5 (60ml), 6.0 (160ml) and 8.0 oz. (220ml) Kit
- CK6500-10 Conversion kit for 1/10 gal.(310ml) Kit
- CK6500-20 Conversion kit for 20 oz.(550ml) Kit

4. SYMBOL DEFINITIONS

Symbol	Definition
	Power On/Off
	Cycle Mode
	Set-Up

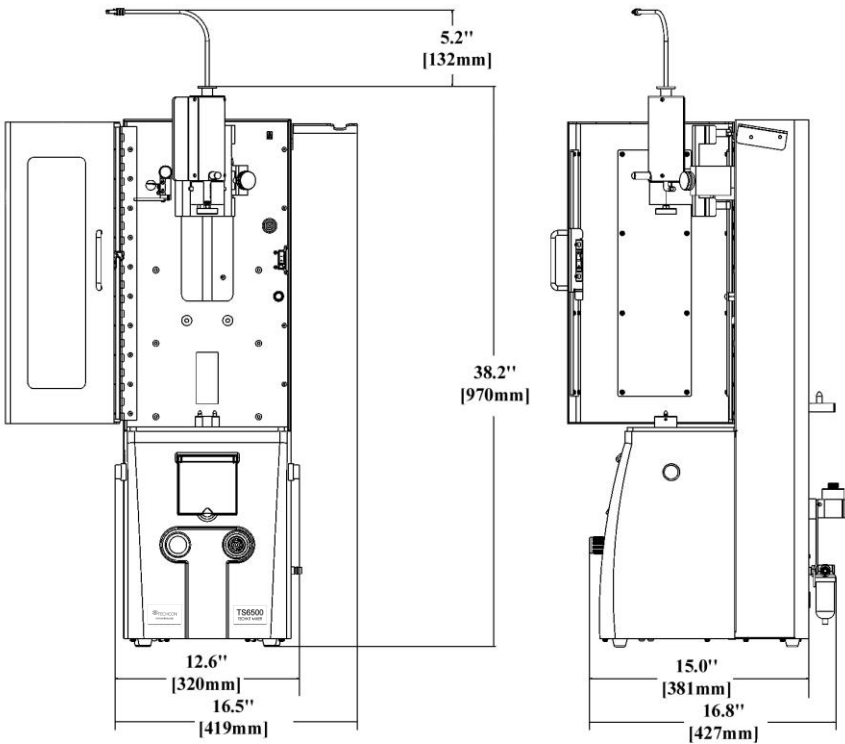
5. EMERGENCY STOP

In case of an emergency, the mixing operation can be stopped at any time by pressing the EMERGENCY STOP BUTTON, (Fig 2, 10). After the problems have been fixed, the machine can be restarted by pulling and turning the emergency button counter clockwise. The mix cycle will start from the beginning.

6. SPECIFICATIONS

Size	16.5" (420mm) X 16.8" (426mm) X 38.2" (970mm)
Weight	80lbs (36kg)
Input Voltage	120/230 VAC, 50/60 Hz
Rated Fuse	2A @ 120 VAC / 230 VAC
Motor Speed	139 RPM
Motor Torque	42 in-lb (4.7 Nm)
Indoor Use	Altitude up to 6,562ft (2,000m)
Operating Temperature	32°F to 122°F (0°C to 50°C)
Storage Temperature	-10°C to 60°C (14°F to 140°F)
Max. Relative Humidity	80% for temperature up to 87.8°F (31°C) Decreasing linearly to 50% relative humidity at 104°F (40°C)
Air Input	50 to 100 psi (3.5 – 6.9 bar)
Display	LCD 20 X 4 display segments

Figure 1.0 Outside Dimensions



7. FEATURES AND FUNCTIONS

7.1 Features

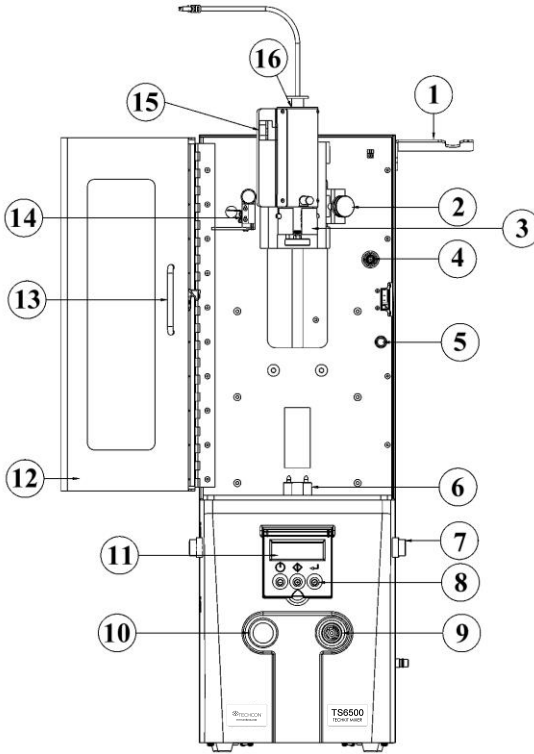


Figure 2.0 Front View

ITEM	DESCRIPTION	ITEM	DESCRIPTION
1	Plunger Bracket	9	Air Regulator
2	Cartridge Holder	10	E-Stop Button
3	Guide Block	11	LCD Display
4	Plunger Air Inlet	12	Safety Cover
5	Pressure Relief Valve	13	Handle
6	Drive Spindle with Injection Rod	14	Fluid Level Sensor
7	Start Buttons	15	Fluid Level Sensor Magnet
8	Control Buttons	16	Plunger

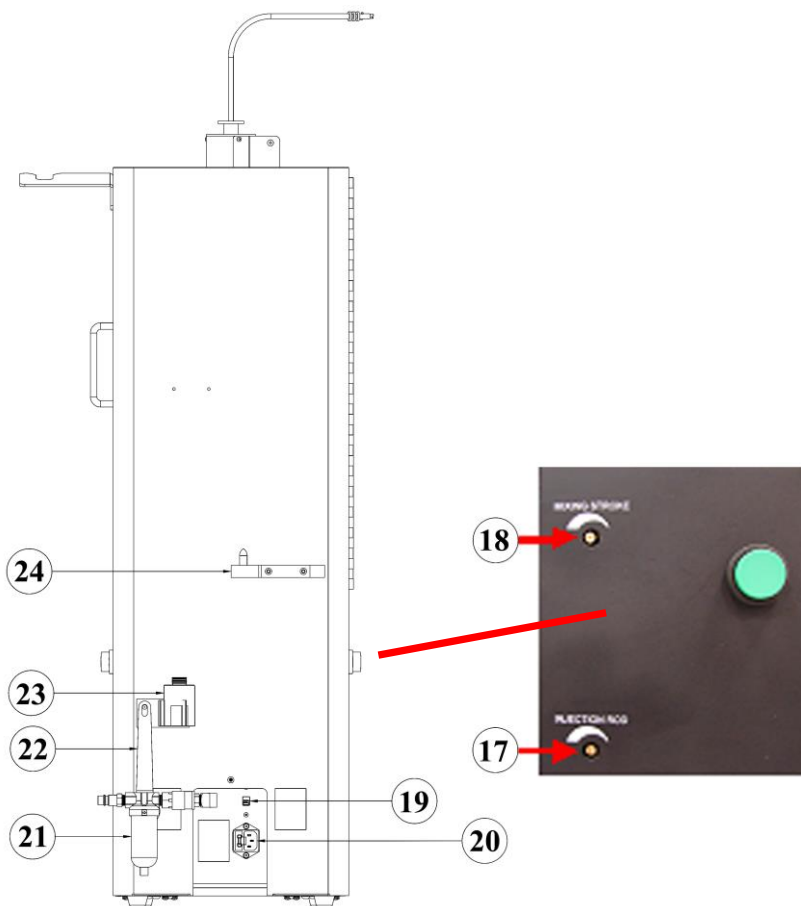


Figure 3.0 Back View

ITEM	DESCRIPTION	ITEM	DESCRIPTION
17	Flow Control, Injection Rod	21	Air Filter
18	Flow Control, Main Cylinder	22	Wrench
19	Voltage Select Switch	23	Accessories Bracket
20	Power Input Socket with Fuse box	24	Cartridge Holder Bracket

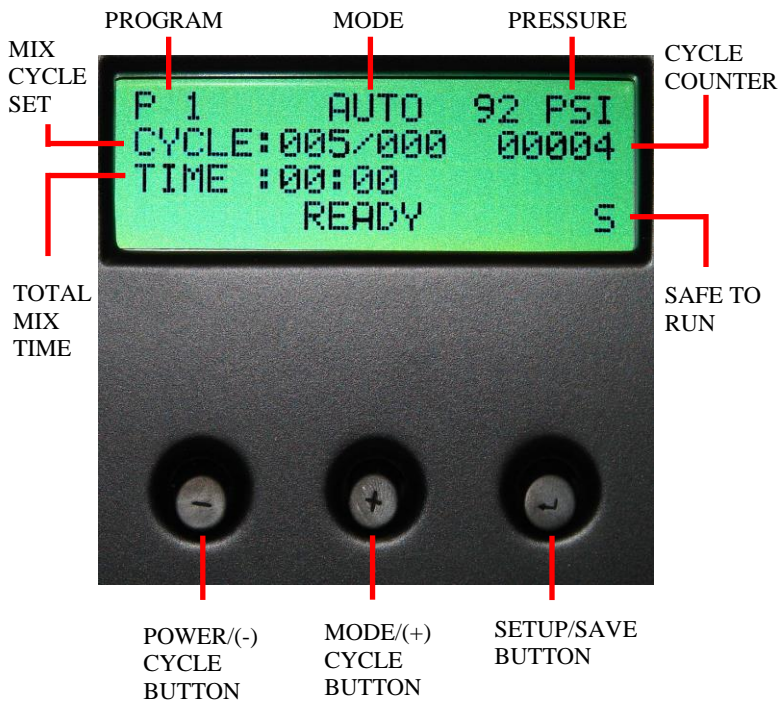


Figure 4.0 Buttons and Screen Identification



Figure 5.0 Setup Screen Identification

7.2 Operation Function

	DESCRIPTION	FUNCTION
1	Plunger Bracket	<ul style="list-style-type: none"> • Holds plunger assembly when not in use
2	Cartridge Holder	<ul style="list-style-type: none"> • Holds cartridge kit • Operates with the plunger assembly and guide block to drive the cartridge up and down for mixing
3	Guide Block	<ul style="list-style-type: none"> • Operates with the plunger assembly and cartridge holder to drive the cartridge up and down for mixing
4	Air Plunger Inlet	<ul style="list-style-type: none"> • Provides air to plunger
5	Pressure Relief valve	<ul style="list-style-type: none"> • Relief plunger pressure when door is opened
6	Drive Spindle with Injection Rod	<ul style="list-style-type: none"> • Rotates mix rods during mix cycle • Injects the hardener into the resin
7	Start Buttons (Green)	<ul style="list-style-type: none"> • Starts the unit • Press green buttons simultaneously to start
8	Control Buttons	<ul style="list-style-type: none"> • Input buttons (see Fig. 4.0 and Fig. 5.0)
9	Air Regulator	<ul style="list-style-type: none"> • Regulates the air pressure to the unit
10	Emergency Stop button (Red)	<ul style="list-style-type: none"> • Stops the Unit in an Emergency • Press to Engage • “E-Stop!” will be displayed, • To reset, rotate the E-Stop knob a quarter turn clockwise
11	LCD Display	<ul style="list-style-type: none"> • Displays unit status, operation and error messages.
12	Protective (Safety) Cover	<ul style="list-style-type: none"> • Protects operators when machine is in use
13	Plunger Disk	<ul style="list-style-type: none"> • Part of Plunger Assembly
14	Fluid Level Sensor	<ul style="list-style-type: none"> • Senses the fluid level at the top of the cartridge

15	Fluid Level Magnet	<ul style="list-style-type: none"> • Works with fluid level sensor
16	Plunger Assembly	<ul style="list-style-type: none"> • Locks cartridge in place • Applies steady pressure to prevent air entrapment
17	Flow Control; Main Cylinder	<ul style="list-style-type: none"> • Controls the speed of the main cylinder • Rotate the flow control screw clockwise to increase the speed. • Rotate the flow control screw counterclockwise to decrease the speed
18	Flow Control; Injection Rod	<ul style="list-style-type: none"> • Controls the speed of the injection rod • Rotate the flow control screw clockwise to increase the speed. • Rotate the flow control screw counterclockwise to decrease the speed
19	Voltage Select Switch	<ul style="list-style-type: none"> • Select 115V or 230V
20	Power Input Socket with Fuse Box	<ul style="list-style-type: none"> • Input power connection
21	Air Filter	<ul style="list-style-type: none"> • Provides air filtration
22	Wrench	<ul style="list-style-type: none"> • Used to install the air filter assembly and drive spindle assembly
23	Accessories Bracket	<ul style="list-style-type: none"> • To hold wrench or other accessories
24	Cartridge Holder Bracket	<ul style="list-style-type: none"> • To hold extra cartridge holder

8. SETUP AND OPERATION

WARNING: This unit is equipped with a voltage selector switch. Please check to make sure the voltage selector is set to match the voltage input.

8.1 Voltage Selection and Fuse Replacement

1. Select the proper voltage by sliding the voltage switch up or down

Voltage Range	Voltage Setting	Fuse Rating
100V – 120V	115V	2 Amp, Type F
220V – 240V	230V	2 Amp, Type F

Fuse Replacement: The unit is shipped with the fuse installed. If fuse needs to be replaced please follow instructions below

2. Remove the fuse holder by using a flat head screw driver to pry it open.
3. Insert correct fuse into the fuse box, refer to table above
4. Re-install the fuse holder into the unit

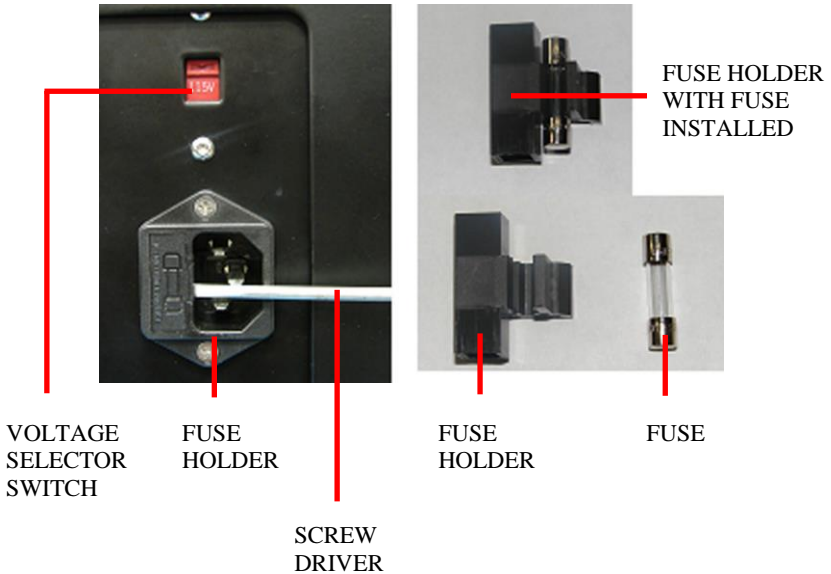


Figure 6.0 Fuse Installation

8.2 Plastic Tray Installation

The unit is shipped with a plastic tray to prevent any spilled material migrating into the main control panel. Make sure to install the plastic tray onto the base plate by aligning the four tabs into the base plate holes.

8.3 Spindle and Spindle Extension Installation

The unit is shipped with the spindle uninstalled. To install the spindle, align it on the motor drive shaft then turn in clockwise direction.

Note: The spindle is designed to mix cartridge kits with 8" (203mm) mix rod. To mix cartridge kits with 6" (152mm) mix rod, the spindle extension needs to be installed. Follow the instructions below to install the spindle extension:

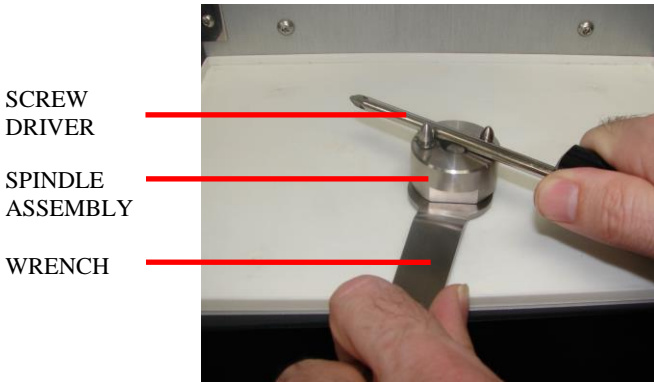


Figure 7.0. Remove Spindle Assembly



Figure 8.0. Spindle Assembly with Extension

1. Place the wrench on the motor shaft (beneath the spindle).
2. Place a screw driver between the two locking pins of the spindle.
3. Hold the wrench and turn the screw driver counter clockwise to unscrew the spindle assembly.
4. Remove the spindle assembly from the motor shaft.
5. Install the spindle extension on the motor shaft by turning it clockwise.
6. Install the spindle assembly on the spindle extension by turning it clockwise.

8.4 Turn On the Unit

Caution: Make sure the correct fuse has been installed and the correct voltage has been set. Refer to section 8.1 for instructions.

1. Insert the power cord to the power socket (Fig. 3, 20).
2. Connect the air filter assembly to the air inlet (Fig. 3, 21).
3. Connect the air hose to the air filter assembly .

Caution: The air filter assembly (7091-9080), supplied with the unit, must be installed to ensure proper air filtration.

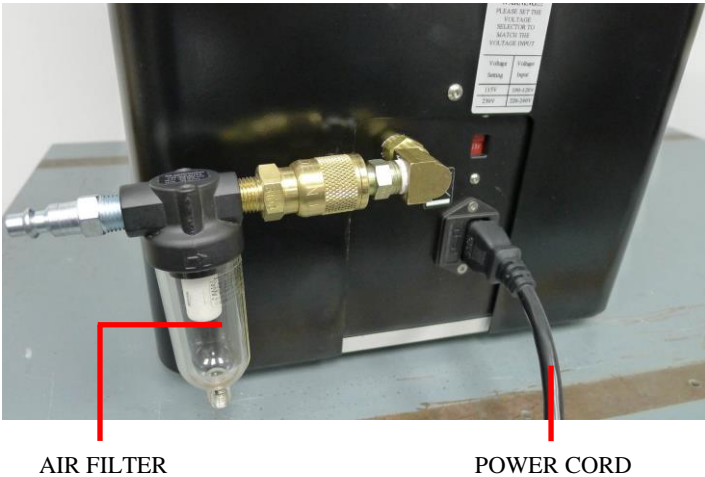


Figure 9.0 Air and Power Connection

4. Set the air Pressure to 80 psi (5.5 bar) minimum.
 - Rotate the air pressure regulator knob (Fig. 2, 9) clockwise to increase the air pressure.
 - Rotate the air pressure regulator knob counterclockwise to decrease the air pressure.

5. The desired air pressure will be displayed on the screen.
6. Turn on the unit by pressing the power button (Fig. 4). The cartridge holder should move up to home position. If it does not move up, please check pressure connection.

8.5 Cartridge Kit Preparation

Injection Kit:

The TS6500 Mixer has an automatic injection device that will inject the hardener into the catalyst before the mixing cycle starts. However, the valve in the mix rod needs to be opened before placing the kit in the machine. Follow the below instructions to open the valve.

1. Insert the ram rod into the mix rod.
2. Push the ram rod to force the valve open.
3. Follow the instructions in section 8.7 to mix the injection kit.

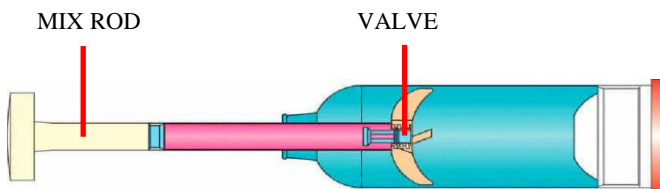


Figure 10.0 Injection Kit

Barrier Kit

1. Remove barrier tape from the kit.
2. Pull the mix rod down to the fullest extend to remove the foil from the dasher.
3. Follow instructions in section 8.7 to mix the barrier kit

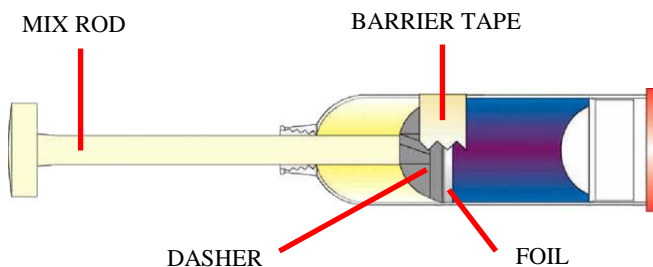


Figure 11.0 Barrier Kit

8.6 Loading the Cartridge Kit

Note: The unit is setup to mix cartridge kit with 8" (203mm) mix rod. To mix cartridge kit with 6" (152mm) mix rod, the spindle extension needs to be installed. Refer to section 8.3 for instructions.

1. Open the safety cover (Fig. 2.0, 12).
2. Load the cartridge kit into the cartridge holder (Fig. 2.0, 2).
3. Pull the mix rod to the fullest extend then align the two through holes of the rod to the drive spindle (Fig. 2.0, 6).
4. Turn the cartridge kit lightly in clockwise direction to lock it to the spindle.
5. Insert the plunger assembly (Fig. 2.0,16) into the cartridge holder with the plunger correctly seated inside the cartridge.
6. Align the dowel pins of the plunger assembly with the bayonet slots in the cartridge holder and turn counterclockwise until it locked in.
7. Connect the air hose into the plunger air inlet (Fig. 2.0, 4).
8. Close the safety cover.

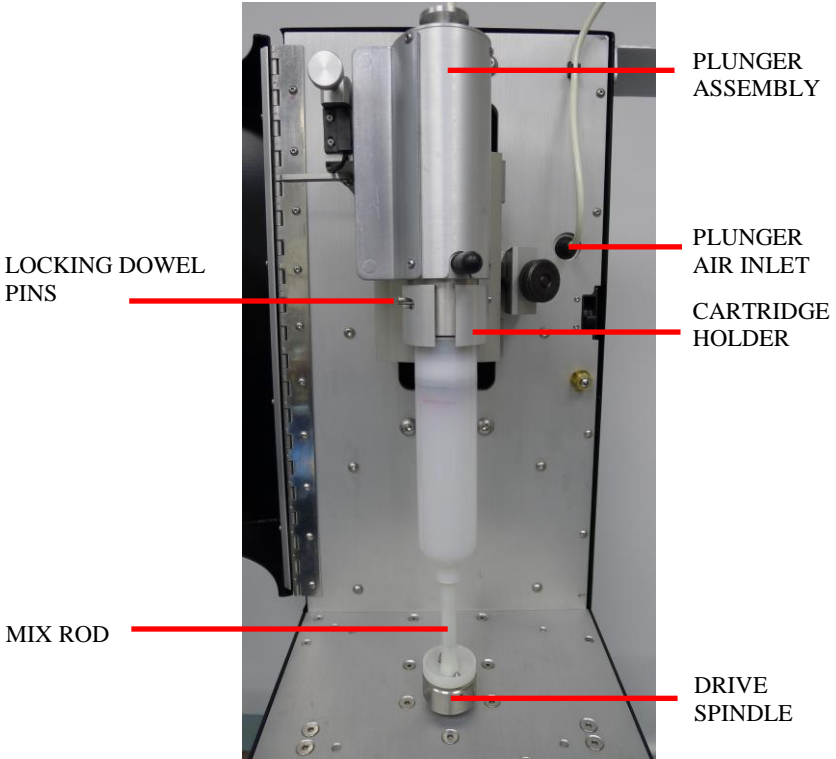


Figure 12.0 Loading the Cartridge Kit

8.7 Mix Cycle Program Setup

Refer to Fig. 4.0.

1. Press the Mode button to select Auto mode.
2. Press and hold the Setup button for 3 seconds to enter setup screen.
3. Press the Setup button to move the cursor to the “CYCLE” indicator.
4. Press the (+) and (-) button to set number of mix cycles required.
5. If a delay time is required, press the Setup button to move the cursor to the “DELAY” indicator then press the (+) and (-) button to adjust delay time, for up stroke and down stroke. (Fig. 5.0 D: Down / U: Up)
6. Press and hold the Setup button for 3 seconds to save data. The unit is now ready to run.

8.8 Start The Unit

1. Ensure the unit is in the Automatic Mode and the desired profile has been selected.
2. Press and release the Start buttons (Green) (Fig 2.0, 7) simultaneously.
3. The unit will run the selected profile. The cycle count and elapsed time will be displayed on the LED screen.

8.9 Unloading The Cartridge Kit

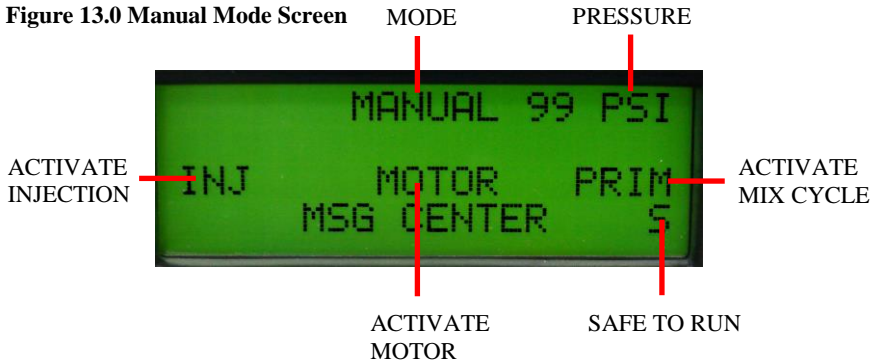
1. The machine will automatically stop once the mixing cycles are completed.
2. Open the protective cover (Fig. 2.0, 12).
3. Remove the retaining collar plunger assembly (Fig. 2.0, 16) by turning it clockwise.
4. Place the retaining collar plunger assembly on the side bracket (Fig. 2.0, 1).
5. Turn the cartridge kit clockwise to remove it from the drive spindle.
6. Pull the cartridge kit out of the cartridge holder.

8.10 Manual Mode

While in the manual mode, the injection rod, main cylinder and drive spindle motor may be controlled independently. Note: while in manual mode any errors will not halt the operation of the motors. Refer to Fig. 13.0.

1. Press and hold the Mode button for 3 seconds to select Manual mode
2. Press the Power (-) button to activate the injection rod (the injection rod will move up).
3. Press the Mode button (+) to activate the motor (the drive spindle will rotate).
4. Press the Setup button (↵) to activate the main cylinder (the cartridge holder will move up and down).

Figure 13.0 Manual Mode Screen



9. SPEED CONTROL

9.1 For main cylinder

The main air cylinder drives cartridge kit up and down. The stroke speed of the main air cylinder can be adjusted by rotating the flow control screw (Fig. 14.0) counter clockwise to increase the speed and clockwise to decrease the speed.

9.2 For injection rod

The injection rod air cylinder drives the injection rod up and down. The injection speed can be adjusted by rotating the flow control screw (Fig. 14.0) counterclockwise to increase the speed and clockwise to decrease the speed.

Note: For TS6500CIM-SMR-6 and TS6500CIM-SMR-20 models, the injection rod flow control is shut-off from the factory. To re-activate the injection rod, slowly turn the flow control screw counter-clockwise until the desired speed is achieved.

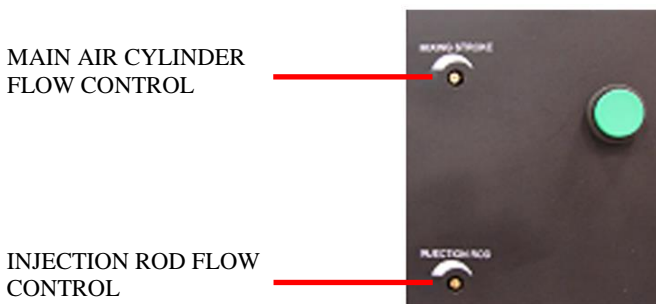


Figure 14.0 Flow Control

10. TROUBLESHOOTING

PROBLEM	POSSIBLE CAUSE	CORRECTION
Unit fails to start	<ul style="list-style-type: none"> No power input Emergency button is pressed Safety door is not fully closed 	<ul style="list-style-type: none"> Check power connections Release Emergency stop button Close safety door
LCD does not light	<ul style="list-style-type: none"> No power input 	<ul style="list-style-type: none"> Check power connections Check Fuse Turn on power
Air Cylinder does not move	<ul style="list-style-type: none"> Insufficient air pressure Air hoses not plugged in Regulator defective 	<ul style="list-style-type: none"> Increase air pressure to 80 psi (5.5 bar) Check air connection Replace regulator
The hardener is not completely injected	<ul style="list-style-type: none"> Air cylinder is damaged 	<ul style="list-style-type: none"> Replace air cylinder
The injection rod does not retract	<ul style="list-style-type: none"> Injection rod is dirty Injection rod is bent 	<ul style="list-style-type: none"> Clean rod Replace rod
Material is not completely mixed	<ul style="list-style-type: none"> Not enough mixing cycle Insufficient air pressure 	<ul style="list-style-type: none"> Increase number of cycles Increase air pressure to 80 psi
Cartridge holder is not in "Home" position	<ul style="list-style-type: none"> Insufficient air pressure Air hoses not plugged in 	<ul style="list-style-type: none"> Increase supply pressure to 80 psi (5.5 bar) Check air connection
Mixing rod does not reach spindle	<ul style="list-style-type: none"> Extension spindle is not installed for 6" rod Mixing rod in not fully extended 	<ul style="list-style-type: none"> Install extension spindle for 6" rod Extend mixing rod
No pressure on plunger	<ul style="list-style-type: none"> Plunger air hose is not connected 	<ul style="list-style-type: none"> Connect plunger air hose
Plunger disk does not fit inside cartridge	<ul style="list-style-type: none"> Wrong plunger disk size 	<ul style="list-style-type: none"> Use correct plunger disk size
Cartridge holder remains in the down position during mixing cycle	<ul style="list-style-type: none"> Sensor and magnet is not aligned 	<ul style="list-style-type: none"> Turn off unit and adjust sensor / magnet alignment
Motor is not running	<ul style="list-style-type: none"> No power to motor Motor burned out 	<ul style="list-style-type: none"> Check motor connection Replace motor

11. PROGRAM SELECTION

Up to 10 programs can be stored in the the TS6500 Mixer.

1. Press the Set button (Fig. 4.0) to highlight the program number selection.
2. Press the (+) or (-) buttons to select desired program.
3. Press the Set button to exit.

12. CYCLE COUNTER RESET

The cycle counter can record up to 99999 mix cycles. To reset the cycle counter follow the below instructions:

1. Press and hold Setup button for 3 seconds to enter setup mode.
2. Once the setup mode is displayed, press and hold Setup button again until the cycle counter resets to “00000”.

13. CARTRIDGE HOLDER INSTALLATION

Refer to Fig. 15.0 and 16.0

The TS6500CIM-6 is setup to mix the 6.0oz. (160ml) kit. To mix the 2.5oz (60ml) or 8.0oz. (220ml) kit the cartridge holder needs to be re-installed at the correct mounting locations as shown in Fig. 15.

MOUNTING LOCATION
2.5oz (60ml) KIT

MOUNTING LOCATION
6.0oz (160ml) KIT

MOUNTING LOCATION
8.0oz (220ml) KIT

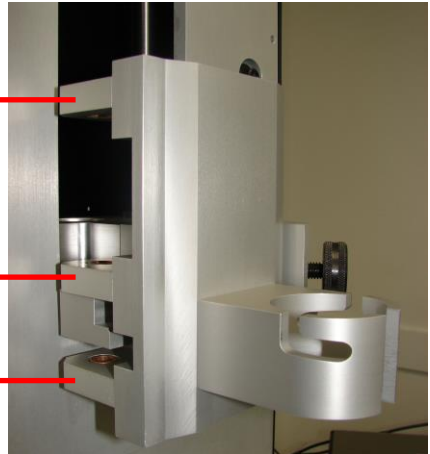


Figure 15.0 Mounting Location

The cartridge holder can be installed in a few simple steps:

1. Pull the release knob and push the fluid level sensor assembly to the left.
2. Loosen the locking screw by turning it counter clockwise.
3. Rotate the cartridge holder outward and pull it up to remove from the machine.
4. Install new cartridge holder in the reverse order.
5. Pull release knob to rotate fluid level sensor assembly back into position.

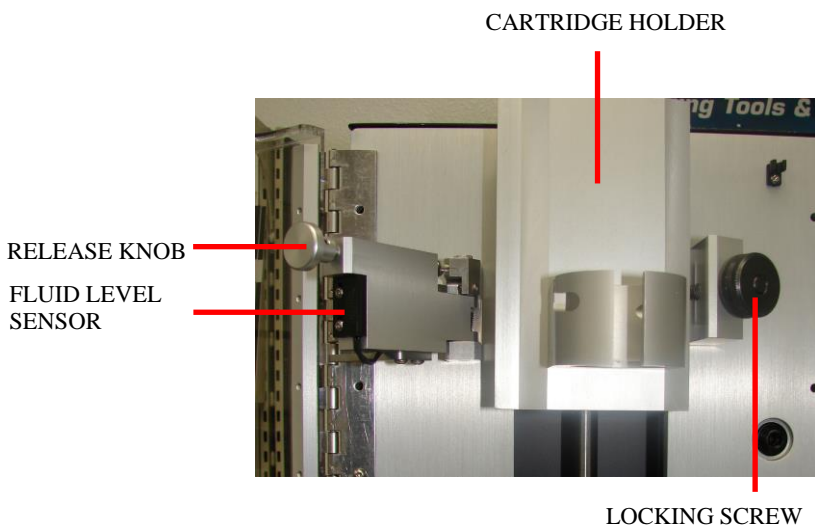


Figure 16.0 Cartridge Holder

14. MAINTENANCE

The TS6500 Mixer is designed and built to be relatively maintenance free. To assure trouble free operation, the following recommendations should be followed:

1. Make certain the air supply is clean and dry.
2. Avoid connecting the unit to excessive moisture or solvent saturation.
3. Use only Amyl Alcohol to clean outside surface of the main housing.
4. Use only soft cloth to clean the LCD.
5. Clean the injection rod regularly with cleaning solvent
6. Clean the tray regularly with cleaning solvent

15. LIMITED WARRANTY

OK International warrants this product to the original purchaser for a period of one (1) year from date of purchase to be free from material and workmanship defects but not normal wear-and-tear, abuse and faulty installation. Defective product or subassembly and components under warranty will be repaired or replaced (at OK International's option) free of charge. Customer with defective product under warranty must contact the nearest OK International office or distributor to secure a return authorization prior to shipping the product to the assigned OK International authorized service center. For nearest OK International office or distributor contact information, please visit www.okinternational.com. OK International reserves the right to make engineering product changes without notice.

16. APPENDIX 16.1 - Spare Parts List

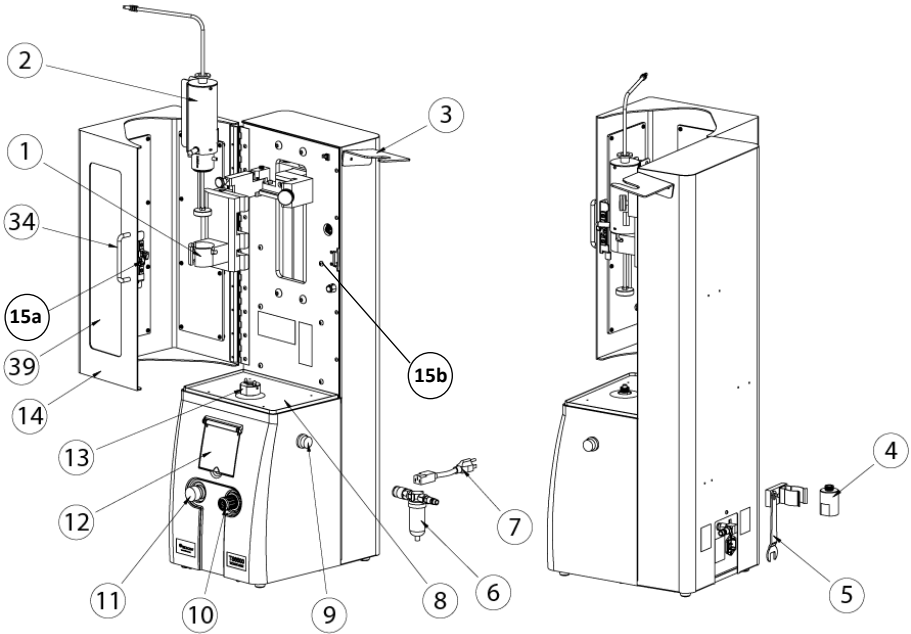


Figure 17.0 Main Assembly

ITEM	PART NUMBER	DESCRIPTION	QTY
1	7091-9010	CARTRIDGE HOLDER, 2.5oz/6oz/8oz	1
	7091-9030	CARTRIDGE HOLDER, 20 oz	1
2	7091-9040	PLUNGER ASSEMBLY, 2.5oz/6oz/8oz	1
	7091-9060	PLUNGER ASSEMBLY, 20 oz	1
3	7091-0740	HOLDER, PLUNGER ASSEMBLY	1
4	7091-0120	SPINDLE EXTENSION	1
5	7091-0530	WRENCH, THIN HEAD, 19mm	1
6	7091-9080	AIR FILTER ASSY (Filter only = 2700-0048)	1
7	6002-0703	POWER CORD	1
8	7091-0500	TRAY	1
9	5100-0079	START PUSH BUTTON	2
10	TSD500-29	AIR REGULATOR	1
11	5100-0078	E-STOP SWITCH	1
12	7091-0510	LCD COVER	1
13	7091-9180	SPINDLE ASSEMBLY	1
14	7091-0430	SAFETY DOOR	1
15a	5100-0077	SAFETY DOOR LATCH	1
15b	5100-0109	SAFETY SWITCH	1

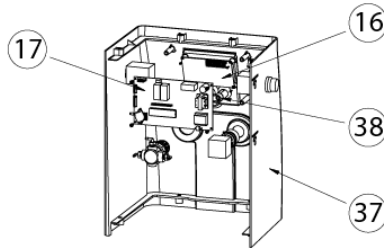


Figure 18.0 Inside Front Cover Assembly

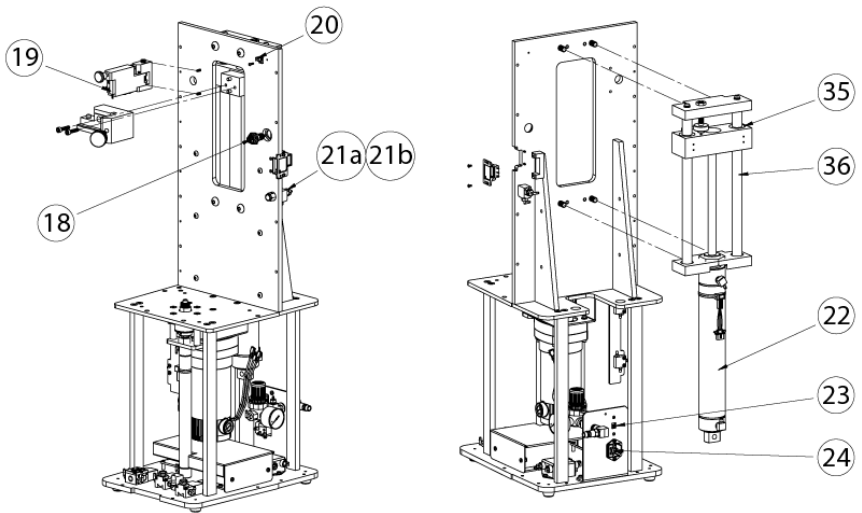


Figure 19.0 Inside Assembly Level One

ITEM	PART NUMBER	DESCRIPTION	QTY
16	2900-0015	LCD	1
17	7091-9000	PCBA, TECHKIT MIXER	1
18	535	PLUNGER AIR INLET	1
19	5500-0008	FLUID LEVEL SENSOR	1
20	3300-0408	TUBE HOLDER, 1/4" TUBE DIA.	1
21a	2600-0162	PRESSURE RELIEF VALVE STEM	1
21b	2600-0163	PRESSURE RELIEF VALVE ACTUATOR	1
22	7091-9140	MAIN AIR CYLINDER	1
23	5100-0060	VOLTAGE SELECT SWITCH	1
24	2100-0372	POWER CONNECTOR	1

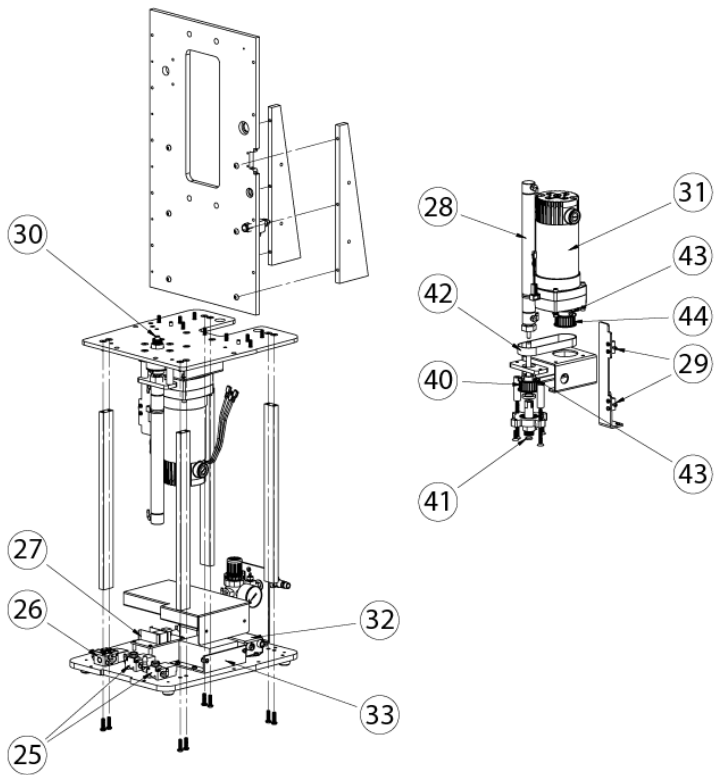


Figure 20.0 Inside Assembly Level 2

ITEM	PART NUMBER	DESCRIPTION	QTY
25	TSD650-21	SOLENOID VALVE	2
26	2600-0132	SOLENOID VALVE, 4-WAY	1
27	1700-0027	DC POWER SUPPLY	1
28	7091-9150	AIR CYLINER, INJECTION ROD	1
29	TSD210-6	FLOW CONTROL	2
30	7091-9130	SPINDLE SHAFT ASSY /BEARING SLEEVE	1
31	7091-9160	MOTOR ASSEMBLY	1
32	2700-0046	FILTER, EMI, 115/250 VAC, 3A, 50-60 Hz	2
33	7091-9120	MOTOR DRIVER	1

ITEM	PART NUMBER	DESCRIPTION	QTY
34	3300-0409	HANDLE, M4 X 96MM LG, BLACK ANODIZE	1
35	3300-0465	BUSING LINEAR,.75 IDX1.250DX1.63 LG, FRELON-LINED	2
36	7091-0210	GUIDE SHAFT	2
37	7091-0450	COVER, BASE	1
38	7091-0540	BUTTON PAD	1
39	7091-0670	PANEL ACRYLIC	3
40	7091-0850	TIMING PULLEY MODIFIED, SPINDLE SHAFT	1
41	3300-0403	O-RING, 8.3MM ID X 13.1MM OD X 2.4MM CS., BUNA-N	1
42	3300-0557	TIMING BELT, TS6500	1
43	2800-0838	SCREW, SET, M4 X 5MM, EXT. POINT, STEEL, BLK.	2
44	7091-0840	TIMING PULLEY MODIFIED, MOTOR SHAFT	3

16.2 TECHKIT PART NUMBER CHART

SIZE	PART NUMBER	ROD LENGTH	KIT TYPE
2.5 oz. (60ml)	250-61T	6" (152mm)	Taped Barrier
	250-81T	8" (203mm)	Taped Barrier
	250-60	6" (152mm)	Injection
	250-80	8" (203mm)	Injection
6.0 oz. (160ml)	600-61T	6" (152mm)	Taped Barrier
	600-81T	8" (203mm)	Taped Barrier
	600-60	6" (152mm)	Injection
	600-80	8" (203mm)	Injection
8.0 oz. (220ml)	800-61T	6" (152mm)	Taped Barrier
	800-81T	8" (203mm)	Taped Barrier
	800-60	6" (152mm)	Injection
	800-80	8" (203mm)	Injection
20 oz. (550ml)	200-81T	8" (203mm)	Taped Barrier
	200-80	8" (203mm)	Injection
1/10 gal (310ml)	110-81T	8" (203mm)	Taped Barrier
	110-80	8" (203mm)	Injection



LOCAL DISPENSING SOLUTIONS WORLD WIDE

**Techcon Systems Corporate Headquarters,
10800 Valley View Street, Cypress, California, 90630,
USA.**

Tel: 1-714-230-2398, Fax: 1-714-230-2393

E-mail: oemorders@okinternational.com

**Techcon Systems European Corporate Office,
Eagle Close, Chandler's Ford Industrial Estate,
Eastleigh, Hampshire, SO53 4NF, UK.**

Tel: +44 2380 489 100, Fax: +44 2380 489 109

E-mail: europa-orders@okinternational.com

Or visit www.techcon.com

Techcon Systems
TS6500CIM
Automatik Techkit Mixer

Bedienungsanleitung
Deutsch



Inhalt

	Seite
1. Sicherheit.....	29
2. Auspacken und Inspizieren.....	29
3. Beschreibung.....	30
4. Symbole.....	30
5. Spezifikationen.....	31
6. Merkmale und Funktionen.....	32-36
6.1 Merkmale.....	32-34
6.2 Funktionen.....	35-36
7. Einrichtung und Bedienung.....	37-43
7.1 Spannungswahl und Tausch der Sicherung.....	37
7.2 Auffangschale installieren.....	38
7.3 Drehantrieb und Adapter installieren.....	38-39
7.4 Einschalten.....	39-40
7.5 Kartuschenvorbereitung.....	40
7.6 Kartusche einsetzen.....	41
7.7 Programmierungen.....	42
7.8 Starten.....	42
7.9 Entnehmen der Kartusche.....	42
7.10 Manueller Mode.....	42-43
8. Geschwindigkeitskontrollen.....	43
8.1 Hauptzylinder.....	43
8.2 Einspritzstab.....	43
9. Not Aus.....	43
10. Fehlerbehandlung.....	44
11. Programm wählen.....	45
12. Zähler zurück setzen.....	45
13. Kartuschenhalter installieren.....	45-46
14. Wartung.....	47
15. Gewährleistung.....	47
16. Appendix - 16.1 Ersatzteile und Zubehör.....	48-50
16.2 Techkit Artikelnummern.....	51

1. SICHERHEIT

Gebrauch:

Achtung: Der Gebrauch dieses Gerätes auf Art und Weise, die nicht in dieser Bedienungsanleitung beschrieben sind, kann zu Verletzungen von Personen oder Schäden an Gegenständen führen. Benutzen Sie das TS6500 Mischgerät nur wie beschrieben.

OK International ist nicht verantwortlich für Verletzungen oder Schäden, die durch unsachgemäße Bedienung des Gerätes entstehen. Unsachgemäßer Gebrauch kann unter anderem sein:

- Jedes Vornehmen von Änderungen an dem Gerät, die nicht in der Bedienungsanleitung ausdrücklich empfohlen sind
- Gebrauch von nicht kompatiblen oder beschädigten Teilen. Gebrauch von nicht frei gegebenen Zubehör- oder Hilfsteilen.

Vorsichtsmaßnahmen:

- Benutzen Sie das Gerät nicht über die maximale Spezifikation hinaus.
- Tragen Sie immer entsprechende persönliche Schutzausrüstung.
- Achten Sie im Umgang von korrosiven und brennbaren Flüssigkeiten unbedingt die Angaben im Sicherheitsdatenblatt.
- Rauchen Sie nicht oder verwenden offenes Licht, wenn Sie mit entzündlichen Stoffen umgehen oder diese dosieren.
- Das Gerät ist nicht für den Gebrauch im Freien bestimmt.

2. AUSPACKEN UND INSPIZIEREN

Öffnen Sie die Verpackung vorsichtig und achten Sie darauf, dass alle Artikel vorhanden sind.

Folgende Artikel gehören zur Sendung:

1. TS6500CIM Hauptgerät
2. Zubehör – gut verpackt und in dem eigenen Holzabteil verwahrt:

Beschreibung (Menge)	Beschreibung (Menge)
Kartuschenhalter (1)	Luftfilter (1)
Bajonettverschluss (1)	Gabelschlüsselhalter (1)
Werkzeughalter (1)	Bedienungsanleitung (1)
Bajonettverschlusshalter (1)	Luftdruckschlauch (1)
Ersatz O-Ringe (5)	Sicherung (1)
Drehantrieb (1)	Stromkabel (1)
Drehantrieb – Adapter (1)	Schrauben (8)

3. BESCHREIBUNG

Der TS6500CIM Automatik Techkit Mixer bietet das vollautomatische Mischen von 2-Komponenten Materialien in Techkit Kartuschen. Ausgestattet mit universeller Stromzufuhr ist der TS6500 sofort weltweit einsatzbereit. Die automatische Füllstandserkennung macht es den Anwendern sehr einfach, alle unterschiedlichen Kartuschengrößen auszuwählen und einzustellen. Die anwenderfreundliche Software hält 10 Programmplätze vor, die das Speichern von unterschiedlichen Sequenzen und Mischprofilen ermöglicht.




Das TS6500CIM Mischgerät ist in fünf Varianten erhältlich:

- TS6500CIM-6 für 2,5 (60ml), 6 (160ml) und 8 oz. (220ml) Kits
- TS6500CIM-20 für 20 oz.(550ml) Kits
- TS6500CIM-RS-6 für 6,0 oz. (160ml) Kit mit reduzierter Motordrehzahl (116 U / min)
- TS6500CIM-SMR-6 für 6,0 oz. (160ml) Kit mit Stahlmischstab
- TS6500CIM-SMR-20 für 20 oz. (550ml) Kit mit Stahlmischstab

Für Ihre Bequemlichkeit und Kosteneinsparung sind folgende Umrüstkits erhältlich:

- CK6500-6 Umrüstkit für 2,5 (60ml), 6 (160ml) und 8 oz. (220ml) Kit
- CK6500-10 Umrüstkit für 1/10 gal. (310ml) Kit
- CK6500-20 Umrüstkit für 20 oz. (550ml) Kit

4. SYMBOLE

Symbole	Definitionen
	An/Aus
	Zyklus
	Programmierung

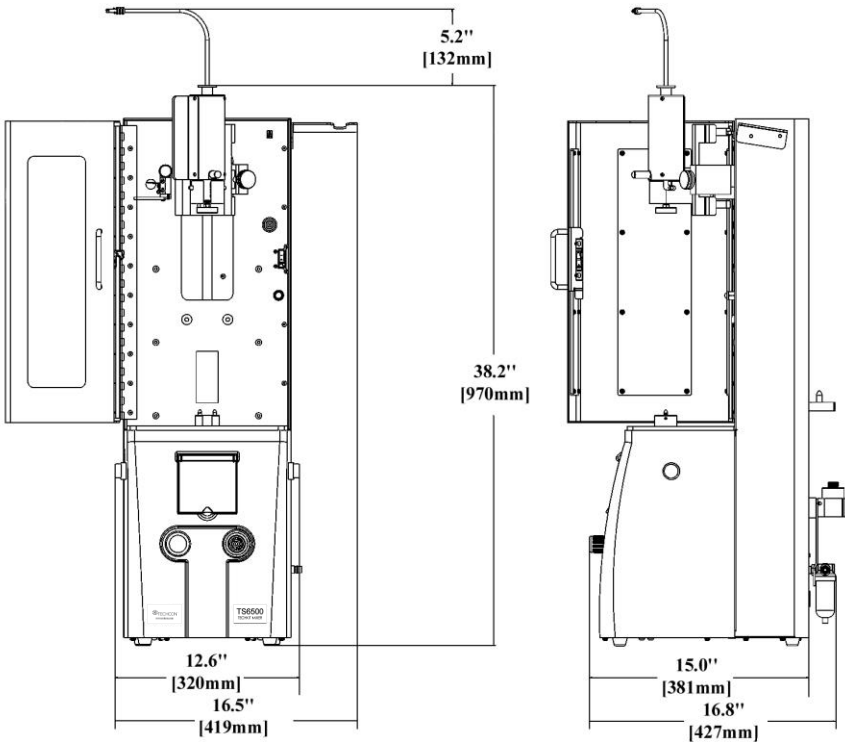
5. NOT-HALT

Im Notfall kann die Bewegung des Mixers jederzeit angehalten werden. Drücken Sie dazu den Not-Aus-Taster, (Bild 2, 10). Lassen Sie den Not-Aus-Schalter nach dem Wiederherstellen der gewünschten sicheren Umgebung einfach los, indem Sie gleichzeitig gegen den Uhrzeigersinn ziehen und drehen. Der Mischzyklus beginnt jetzt von.

6. SPEZIFIKATIONEN

Maße	420mm (16.5") X 426mm (16.8") X 970mm (38.2")
Gewicht	36kg (80lbs)
Stromzufuhr	120/230 VAC, 50/60 Hz
Drucklufteingang	3,5 – 6,9 bar / 50 – 100 PSI
Sicherung	2A @ 120 VAC / 230 VAC
Drehgeschwindigkeit	139 U/min
Kraft	4.7 Nm (42 in-lb)
Nur Innen verwenden	Bis zu einer Höhe von 2.000m (6,562ft)
Einsatztemperatur	0°C - 50°C (32°F to 122°F)
Lagertemperatur	-10°C - 60°C (14°F to 140°F)
Max. relative Luftfeuchtigkeit	80% bei Temperaturen bis 31°C (87.8°F). Linear zu verringern bis zu 50% bei 40°C (104°F)
Anzeige	LCD 20 X 4 Segmente

Bild. 1.0 Abmessungen



7. MERKMALE UND FUNKTIONEN

7.1 Merkmale:

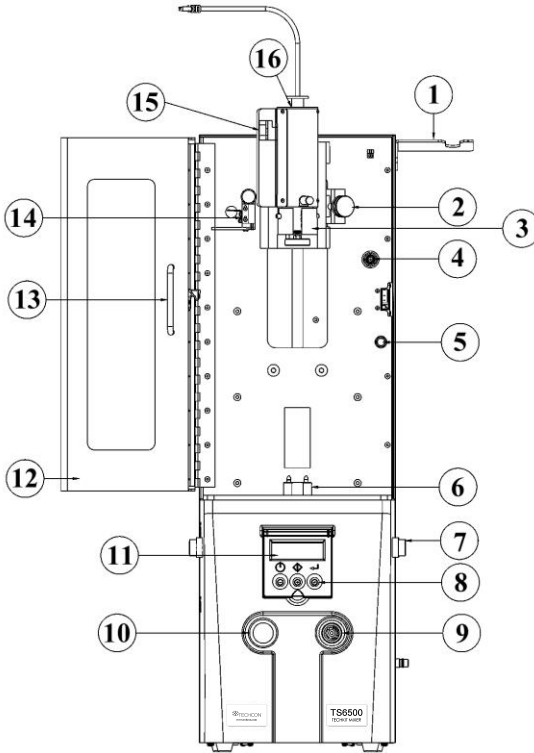


Bild. 2.0 Frontansicht

Teil	Beschreibung	Teil	Beschreibung
1	Bajonettverschlusshalter	9	Druckminderer
2	Kartuschenhalter	10	Not-Aus
3	Führungsschlitten	11	LCD Anzeige
4	Luftdruckanschluss	12	Sicherheitstür
5	Sicherheitsventil	13	Türgriff
6	Drehantrieb mit Einspritzstab	14	Füllstandssensor
7	Startknöpfe, beidseitig	15	Füllstandssensormagnet
8	Bedienelemente mit Symbolen	16	Bajonettkopf (Verschluss)

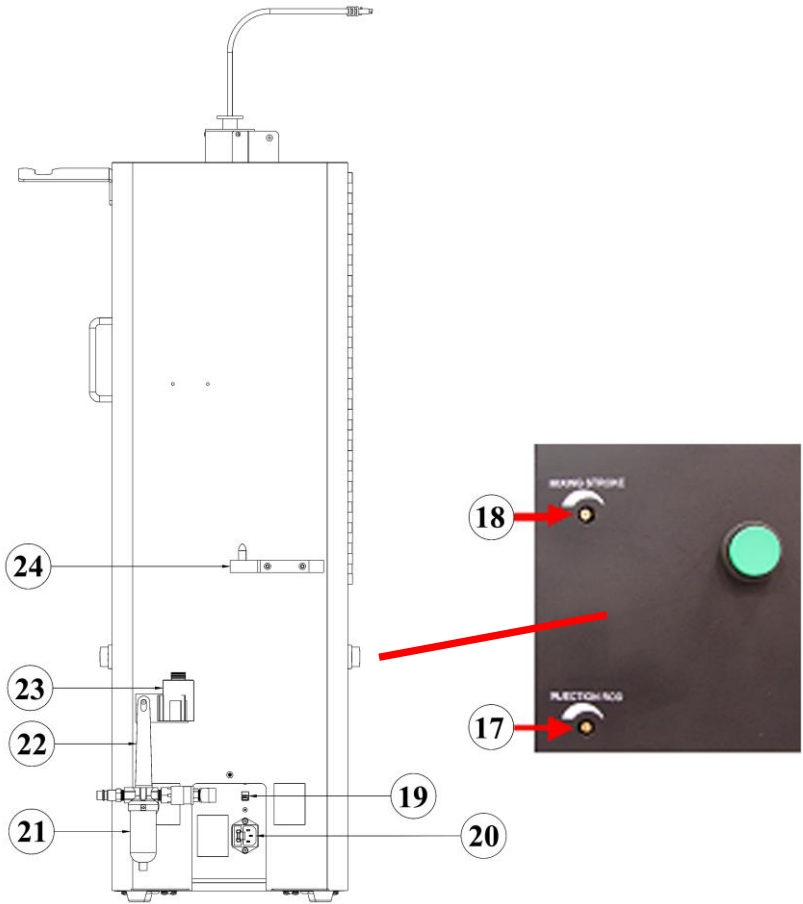


Bild. 3.0 Rückansicht

Teil	Beschreibung	Teil	Beschreibung
17	Druckregler, Einspritzstab	21	Luftfilter
18	Druckregler, Hauptzylinder	22	Maulschlüssel
19	Auswahlschalter, Stromspannung	23	Halterung für Drehantriebadapter
20	Stromeingang mit Sicherung	24	Halterung für Kartuschenaufnahme

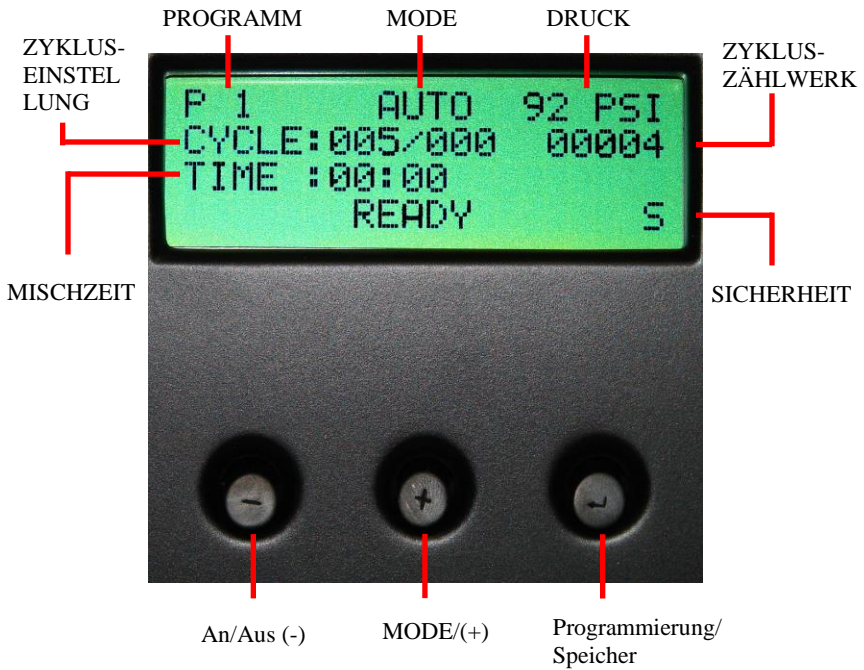


Bild. 4.0 Bedienelemente und Anzeige



Bild. 5.0 Anzeigeninformation im Programmierungsmodus

7.2 Funktionen:

	Beschreibung	FUNKTION
1	Bajonettverschluss-halter	<ul style="list-style-type: none"> • Hält den Bajonettverschluss, wenn nicht in Gebrauch
2	Kartuschenhalter	<ul style="list-style-type: none"> • Hält die Kit-Kartusche • Während des Mischens hält er die Kartusche und fährt zusammen mit dem Führungsschlitten und dem Bajonettverschluss auf und nieder.
3	Führungsschlitten	<ul style="list-style-type: none"> • Führt die Auf- und Abwärtsbewegungen während des Mischvorganges aus
4	Druckluftanschluss	<ul style="list-style-type: none"> • Leitet Druckluft an den Bajonettverschlusshalter
5	Sicherheitsventil	<ul style="list-style-type: none"> • Gleicht den Druck bei geöffneter Tür aus
6	Drehantrieb mit Einspritzstab	<ul style="list-style-type: none"> • Dreht den Mischstab im Betrieb • Spritzt den Härter in die Basis
7	Start-Schalter (grün)	<ul style="list-style-type: none"> • Startet den Mischvorgang • Drücken Sie beide Schalter gleichzeitig!
8	Bedienelemente	<ul style="list-style-type: none"> • Eingabekнопfe (siehe Bild. 5.0)
9	Manometer	<ul style="list-style-type: none"> • Reguliert die Druckluft im Gerät
10	Not-Aus (rot)	<ul style="list-style-type: none"> • Stoppt den aktuellen Vorgang • Drücken zum Auslösen • "E-Stop!" wird angezeigt, • Zum Zurücksetzen den Knopf eine ¼ Umdrehung im Uhrzeigersinn drehen
11	LCD Display	<ul style="list-style-type: none"> • Zeigt Status, aktuellen Vorgang und Fehlermeldungen
12	Schutztür	<ul style="list-style-type: none"> • Schützt den Anwender
13	Türgriff	<ul style="list-style-type: none"> • Hilft die Tür zu öffnen
14	Füllstandssensor	<ul style="list-style-type: none"> • Erkennt den Füllstand am Kolben

15	Füllstandsmagnet	<ul style="list-style-type: none"> • Gegenstück zum Füllstandssensor
16	Bajonettverschluss	<ul style="list-style-type: none"> • Hält die Kartusche • Legt dauerhaft Druck an und verhindert so Lufteindringung
17	Flusssteuerung; Hauptzylinder	<ul style="list-style-type: none"> • Kontrolliert die Geschwindigkeit des Hauptzylinders • Erhöhung der Geschwindigkeit im Uhrzeigersinn • Verringerung der Geschwindigkeit entgegen dem Uhrzeigersinn
18	Flusssteuerung; Einspritzstab	<ul style="list-style-type: none"> • Kontrolliert die Geschwindigkeit der Einspritzung • Erhöhung der Geschwindigkeit im Uhrzeigersinn • Verringerung der Geschwindigkeit entgegen dem Uhrzeigersinn
19	Spannungswahl	<ul style="list-style-type: none"> • Wählen Sie 115V oder 230V
20	Stromeingang mit Sicherung	<ul style="list-style-type: none"> • Schließen Sie das Stromkabel an.
21	Luftfilter	<ul style="list-style-type: none"> • Filtert die Druckluft
22	Maulschlüssel	<ul style="list-style-type: none"> • Verwendung für die Installation des Luftfilters und des Drehantriebes
23	Zubehörhalter	<ul style="list-style-type: none"> • Hält den Maulschlüssel und den Drehantriebadapter
24	Halterung für Kartuschenaufnahme	<ul style="list-style-type: none"> • Hält eine zusätzliche Kartuschenaufnahme

8. EINRICHTUNG UND BEDIENUNG

Achtung: Dieses Gerät ist mit einem Spannungswahlschalter ausgestattet. Bitte kontrollieren Sie die korrekte Einstellung.

8.1 Spannungswahl und Tausch der Sicherung:

1. Wählen Sie die korrekte Spannung indem Sie den Wahlschalter hoch oder runter schieben.

Spannung	Spannung	Sicherung
100V – 120V	115V	2 Amp, Type F
220V – 240V	230V	2 Amp, Type F

Tausch der Sicherung:

Das Gerät wird mit installierter Sicherung ausgeliefert. Falls Sie die Sicherung austauschen müssen, folgen Sie bitte folgenden Schritten:

2. Entfernen Sie den Sicherungshalter indem Sie diesen mit einem flachen Schraubendreher aus dem Sitz lockern.
3. Erneuern Sie die defekte Sicherung entsprechend den oben gemachten Angaben.
4. Installieren Sie den Sicherungshalter wieder in das Gerät.

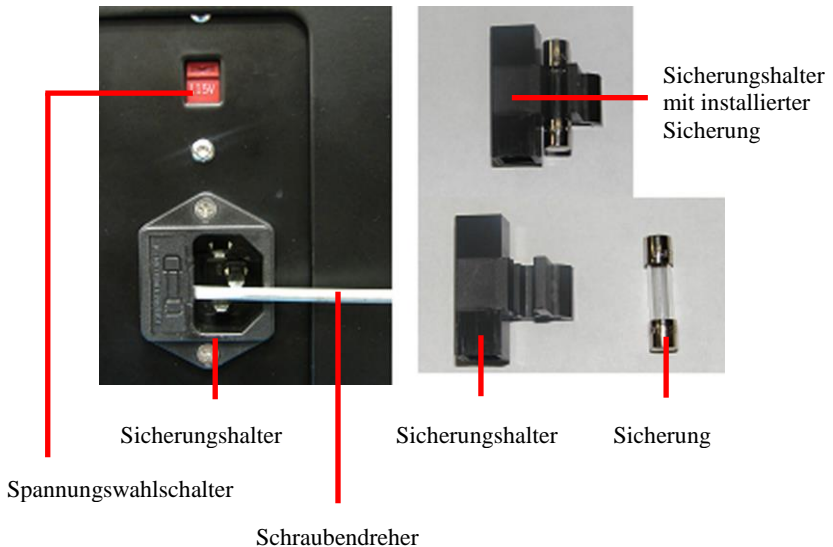


Bild. 6.0 Tausch der Sicherung

8.2 Auffangschale installieren:

Dem Gerät liegt bei Auslieferung eine Auffangschale aus Plastik bei. Diese verhindert im Falle einer Leckage, das Eindringen von Chemikalien in die Gerätesteuerung. Installieren Sie die Auffangschale auf die Basisplatte indem Sie die vier Stifte in den vorgesehenen Aussparungen fixieren.

8.3 Drehantrieb und Adapter installieren:

Im Auslieferungszustand ist der Drehantrieb noch nicht installiert. Um die Aufnahme des Drehantriebes zu installieren, setzen Sie diese auf das Gewinde in der Mitte der Basisplatte und schrauben es im Uhrzeigersinn auf.

Achtung: Die Aufnahme des Drehantriebes findet für 8" (203mm) Mischstäbe Verwendung. Für die kürzeren 6" (152mm) Mischstäbe muss die Verlängerung installiert werden. Folgen Sie diesen Anweisungen, um den Adapter als Verlängerung zu installieren:

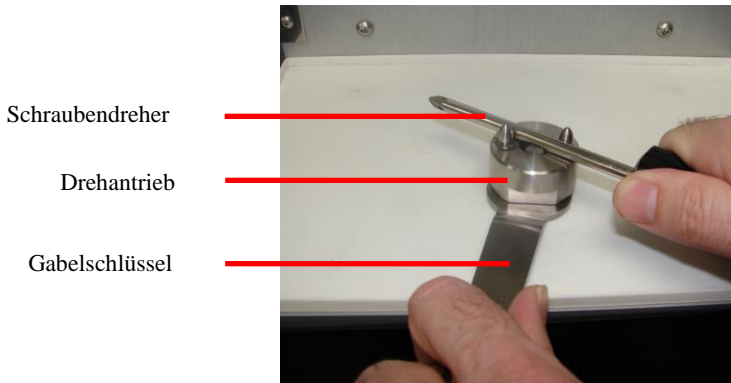


Bild. 7.0 Entfernen des Drehantriebes



Bild. 8.0 Drehantrieb mit Verlängerung

1. Fixieren Sie die Motorwelle mit dem Gabelschlüssel (unterhalb des Drehantriebes).
2. Legen Sie einen Schraubendreher zwischen die Aufnahmen an dem Drehantrieb.
3. Halten Sie den Gabelschlüssel fest und drehen Sie den Schraubendreher entgegen dem Uhrzeigersinn, um den Drehantrieb zu lösen.
4. Entfernen Sie den Drehantrieb von der Motorwelle.
5. Installieren Sie den Adapter auf der Motorwelle durch Drehungen im Uhrzeigersinn.
6. Installieren Sie nun wiederum den Drehantrieb auf den Adapter ebenfalls durch Drehungen im Uhrzeigersinn.

8.4 Einschalten:

Achtung: Stellen Sie sicher, die korrekte Sicherung ist eingesetzt und die korrekte Spannung ist gewählt. Instruktionen finden Sie in 7.1

1. Schließen Sie das Stromkable an (Bild. 3, 20).
2. Schließen Sie den Luftfilter am Lufteinlass an (Bild. 3, 21).
3. Schließen Sie den Druckluftschlauch an dem Luftfilter an.

Achtung: Der beiliegende Luftfilter (7091-9080) muss für eine korrekte Filterung der Luft installiert sein.

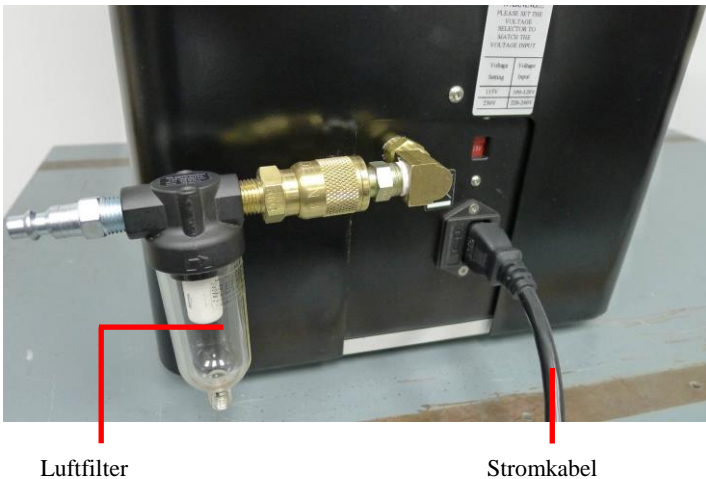


Bild. 9.0 Anschluss von Druckluft und Strom

4. Stellen Sie mindestens 80 psi (5.5 bar) ein.
 - Drehen Sie den Druckluftregler (Bild. 2, 9) im Uhrzeigersinn, um den Druck zu erhöhen.
 - Drehen Sie den Druckluftregler (Bild. 2, 9) entgegen dem Uhrzeigersinn, um den Druck zu verringern.
5. Der anliegende Druck wird am Monometer angezeigt.
6. Schalten Sie das Gerät mit dem "An/Aus" Schalter ein. (Bild. 4). Der Führungsschlitten fährt jetzt nach oben in die Startposition. Wenn dieser nicht nach oben fährt, prüfen Sie bitte Druckluftverbindung.

8.5 Kartuschenvorbereitung:

Einspritzsystem: Ihr TS6500 Mixer hat eine automatische Einspritzfunktion, die den Härter in die Basis spritzt, bevor der Mischzyklus startet. Für einen sicheren Prozess öffnen Sie das Ventil am Mischstab bevor die Kartusche in Ihren TS6500 Mixer installiert wird. Folgen Sie der Anweisung, um das Ventil zu öffnen:

1. Führen Sie den Stoßstab (ram rod) in den Mischstab ein.
2. Drücken Sie den Stoßstab bis sich das Ventil öffnet.
3. Folgen Sie nun den Anweisungen in 7.7.

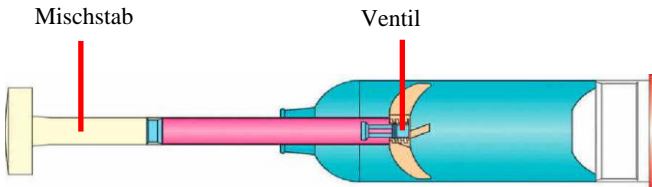


Bild. 10.0 Einspritzsystem

Trennkammersystem

1. Entfernen Sie das Klebeband vollständig von der Kartusche.
2. Ziehen Sie den Mischstab vollständig zum Kartuschenenkopf, um die Folie vom Mischräd zu trennen.
3. Folgen Sie nun den Anweisungen in 7.7.

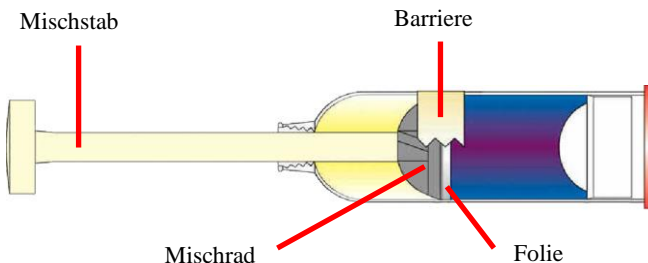


Bild. 11.0 Trennkammersystem

8.6 Kartusche einsetzen:

Achtung: Ihr Gerät ist evtl. für 8" (203mm) Mischstäbe eingestellt. Für die kürzeren 6" (152mm) Mischstäbe muss die Verlängerung installiert werden. Folgen Sie nötigenfalls den Anweisungen in 7.3, um den Adapter als Verlängerung zu installieren:

1. Öffnen Sie die Sicherheitstür (Bild. 2.0, 12).
2. Führen Sie die Kartusche in den Kartuschenhalter ein (Bild. 2.0, 2).
3. Ziehen Sie den Mischstab bis zum Anschlag aus der Kartusche und verankern Sie diesen an dem Drehantrieb indem Sie die beiden Pins durch die Löcher stecken und leicht verdrehen (Bild. 2.0, 6).
4. Drehen Sie den Mischstab mit der Kartusche im Uhrzeigersinn, um die Verankerung vollends zu fixieren.
5. Schließen Sie den Kartuschenhalter mit dem Bajonettkopf (Bild. 2.0, 16) und achten Sie auf guten Sitz.
6. Die Zylinderstifte an beiden Seiten des Bajonettkopfes gehören in die Führungsschlitze des Kartuschenhalters. Der gummierte Stift zeigt zu Ihnen und hilft als Anfasser beim Schließen.
7. Schließen Sie die Druckluftleitung an die Steckdose an. (Bild. 2.0, 4).
8. Schließen Sie die Sicherheitstür.

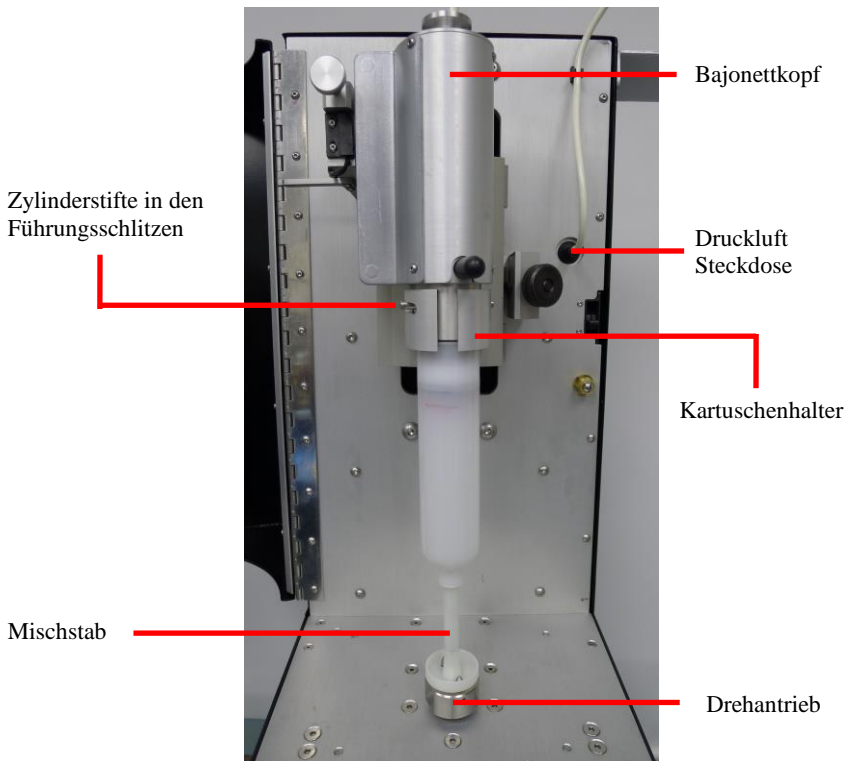


Bild. 12.0 Kartusche einsetzen

8.7 Programmierungen:

Bitte beziehen Sie sich auf Bild. 4.0

1. Drücken Sie den Zyklus Schalter (Bild. 4.0) und wählen Auto
2. Drücken und Halten Sie den Schalter Programmierung (Bild. 4.0) für 3 Sekunden und starten so das Programmiermenü.
3. Drücken Sie erneut den Schalter Programmierung (Bild. 4.0) und lassen so die Anzahl der "CYCLE" blinken.
4. Drücken Sie Schalter (+) und (-) (Bild. 4.0) und stellen so die gewünschte Anzahl an Mischhüben ein.
5. Wenn eine Verzögerung am Umkehrpunkt gewünscht ist, so drücken Sie erneut auf den Schalter Programmierung. Nun blinkt die Zeitangabe "DELAY". Drücken Sie erneut (+) und (-) um die gewünschte Verzögerung für Auf- und Abwärtsbewegung einzustellen. (Bild. 5.0 D: aufwärts / U: abwärts)
6. Drücken und Halten Sie den Schalter Programmierung (Bild. 4.0) für 3 Sekunden, um Ihre Einstellungen zu speichern. Ihr Mischgerät ist nun betriebsbereit.

8.8 Starten:

1. Vergewissern Sie sich, dass sich das Gerät im Automatik Mode befindet und Sie das gewünschte Programm gewählt haben.
2. Drücken Sie die beiden grünen Start Schalter gleichzeitig (Bild. 2.0, 7).
3. Das Gerät führt die gewählten Einstellungen aus. Die Anzahl der Mischzyklen und die benötigte Zeit wird auf der LED Anzeige angezeigt.

8.9 Entnehmen der Kartusche:

1. Ihr Mischer hält automatisch nach Beendigung der gewählten Anzahl an Mischhüben an.
2. Öffnen Sie die Sicherheitstür (Bild. 2.0, 12).
3. Lösen Sie den Bajonettkopf (Bild. 2.0, 16).
4. Platzieren Sie den Bajonettkopf in die Halterung seitlich des Gerätes.
5. Lösen Sie die Kartusche mit einer leichten Drehbewegung aus der Verankerung am Drehantrieb.
6. Entnehmen Sie die Kartusche aus der Kartuschenhalterung.

8.10 Manueller Mode:

Achtung: Bitte beachten Sie, dass in manuellem Betrieb etwaige Fehler nicht zum Stoppen des Gerätes führen.

In manuellem Betrieb können Sie den Drehantrieb und den Hauptzylinder unabhängig voneinander bewegen. Siehe Bild. 13.0.

1. Drücken und Halten Sie den Schalter Zyklus 3 Sekunden und wählen so den manuellen Mode.
2. Drücken Sie den Schalter AN/AUS (-), um den Einspritzstab zu aktivieren (Der Einspritzstab fährt aus).
3. Drücken Sie den Schalter Zyklus (+), um den Drehantrieb zu aktivieren. (Der Drehantrieb dreht sich).
4. Drücken Sie den Schalter Programmierung (↵), um den Hauptzylinder zu aktivieren. (Der Führungsschlitten mit Kartuschenhalter fährt auf und nieder).

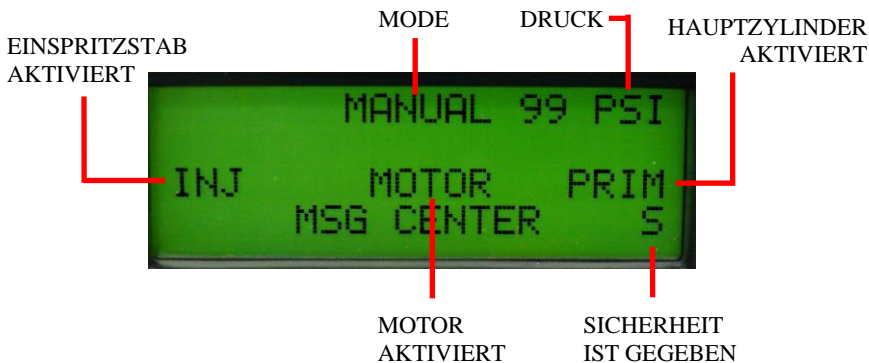


Bild. 13.0 Anzeige im Manual Mode

9. GESCHWINDIGKEITSKONTROLLEN:

9.2 Hauptzylinder:

Der Hauptzylinder bewegt die Kartusche auf und nieder. Die Geschwindigkeit des Hauptzylinders kann mit der Einstellschraube "MIXING STROKE" justiert werden. (Bild. 14.0) Im Uhrzeigersinn verringert sich die Geschwindigkeit.

9.3 Einspritzstab:

Die Geschwindigkeit des Einspritzstabes kann mit der Einstellschraube "INJECTION ROD" justiert werden. (Bild. 14.0) Im Uhrzeigersinn verringert sich die Geschwindigkeit.

Hinweis: Bei den Modellen TS6500CIM-SMR-6 und TS6500CIM-SMR-20, ist die Flusssteuerung der Einspritzstange werkseitig abgeschaltet. Um die Einspritzstange wieder zu aktivieren, drehen Sie die Flusssteuerungsschraube langsam gegen den Uhrzeigersinn, bis die gewünschte Geschwindigkeit erreicht ist.

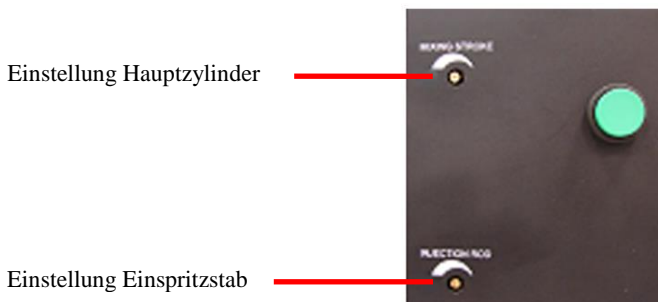


Bild. 14.0 Seitenansicht

10. FEHLERBEHANDLUNG:

PROBLEM	Mögliche Ursachen	Korrektur
Gerät startet nicht	<ul style="list-style-type: none"> Kein Strom angeschlossen Not-Aus ist aktiv Sicherheitstür nicht Vollständig geschlossen 	<ul style="list-style-type: none"> Stromanschluss und Sicherung überprüfen Lösen des Not-Aus Sicherheitstür schließen
LCD Anzeige leer	<ul style="list-style-type: none"> Kein Strom angeschlossen 	<ul style="list-style-type: none"> Stromanschluss überprüfen Sicherung überprüfen Gerät anschalten
Hauptzylinder bewegt sich nicht	<ul style="list-style-type: none"> Kein ausreichender Druck Druckluft nicht angeschlossen Manometer defekt 	<ul style="list-style-type: none"> Druck auf mind. 80 psi (5,5 bar) erhöhen Druckluftversorgung überprüfen Monometer tauschen
Härter nicht vollständig eingespritzt	<ul style="list-style-type: none"> Zylinder ist beschädigt 	<ul style="list-style-type: none"> Zylinder austauschen
Einspritzstab fährt nicht wieder zurück	<ul style="list-style-type: none"> Einspritzstab ist dreckig Einspritzstab ist verbogen 	<ul style="list-style-type: none"> Einspritzstab säubern Einspritzstab tauschen
Material ist nicht vollständig vermischt	<ul style="list-style-type: none"> Unzureichende Anzahl Mischhübe Unzureichende Druckluftversorgung 	<ul style="list-style-type: none"> Anzahl der Mischhübe erhöhen Druck auf mind. 80 psi (5,5 bar) erhöhen
Kartuschenhalter fährt nicht in die Startposition	<ul style="list-style-type: none"> Unzureichende Druckluftversorgung Druckluft nicht angeschlossen 	<ul style="list-style-type: none"> Druck auf mind. 80 psi (5,5 bar) erhöhen Druckluftversorgung überprüfen
Mischstab erreicht nicht den Drehantrieb	<ul style="list-style-type: none"> Adapter zur Verlängerung für 6" Stäbe nicht installiert Mischstab nicht vollständig zum Anschlag aus der Kartusche gezogen 	<ul style="list-style-type: none"> Verlängerung installieren (siehe 7.3) Mischstab bis zum Anschlag ausziehen
Kein Druck am Kolben	<ul style="list-style-type: none"> Druckluft nicht angeschlossen 	<ul style="list-style-type: none"> Druckluftschlauch anschließen (bild 2.4)
Kartuschenhalter verharrt während des Mischens in unterer Position	<ul style="list-style-type: none"> Sensor und Magnet sind nicht abgestimmt 	<ul style="list-style-type: none"> Schalten Sie das Gerät aus und justieren Sie den Magnet mit dem Sensor
Motor läuft nicht	<ul style="list-style-type: none"> Keine Stromversorgung Motor defekt 	<ul style="list-style-type: none"> Stromversorgung und Sicherung überprüfen Motor tauschen

11. PROGRAMM WÄHLEN:

Sie können bis zu 10 Programme im TS6500 Mixer wählen:

1. Drücken Sie den Schalter Programmierung (Bild. 4) damit die Programmnummer links oben in der Ecke blinkt.
2. Drücken Sie (+) oder (-), um das gewünschte Programm zu wählen.
3. Drücken Sie den Schalter Programmierung erneut.

12. ZÄHLER ZURÜCK SETZEN:

Das Gesamtzählwerk kann bis zu 99999 Zyklen zählen. Der Zähler kann wie folgt zurück gesetzt werden:

1. Drücken und Halten Sie den Schalter Programmierung für 3 Sekunden und gehen so in die Einstellungen.
2. Sobald der Mode "Setup" angezeigt wird, drücken und halten Sie den Schalter Programmierung nochmals bis der Zähler "00000" anzeigt.

13. KARTUSCHENHALTER INSTALLIEREN:

Sehen Sie bitte die Bilder 15.0 und 16.0

Der TS6500CIM-6 ist auf die 6.0 oz.(160ml) Kartuschen eingestellt. Um 2.5 (60ml) oder 8.0 oz.(220ml) Kits zu mischen, hängen Sie den Kartuschenhalter in die entsprechende Position, wie auf dem Bild. gezeigt.

Fixierpunkt für 2.5oz (60ml)
Kits

Fixierpunkt für 6.0oz (160ml)
Kits

Fixierpunkt für 8.0oz (220ml)
Kits

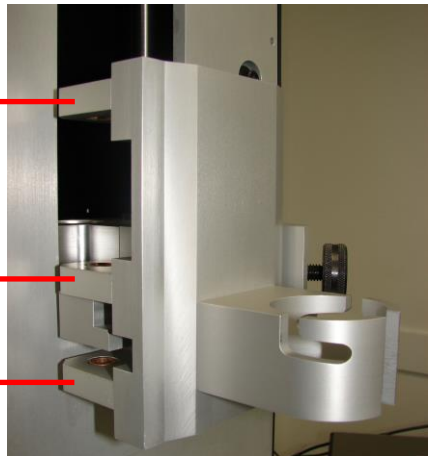


Bild. 15.0 Fixier- Hängepunkte

Die Position des Kartuschenhalters kann mit wenigen einfachen Schritten verändert werden:

1. Ziehen Sie die Sicherung und schieben den Füllstandssensor nach links.
2. Lösen Sie die Feststellschraube.
3. Drehen Sie den Kartuschenhalter leicht nach Außen und heben diesen von seinem Fixierpunkt.
4. Setzen Sie den Kartuschenhalter in die gewünschte Position.
5. Schrauben Sie die Feststellschraube fest und führen den Füllstandssensor in die ursprüngliche Position zurück.

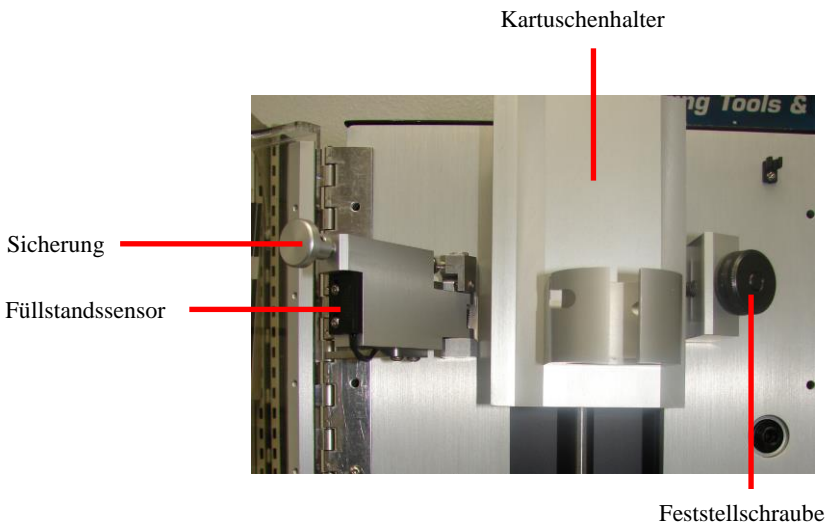


Bild. 16.0 Kartuschenhalter

14. WARTUNG

Die TS6500 Mischgeräte sind für einen wartungsarmen Einsatz entwickelt und gebaut.

Um einen störungsfreien Betrieb zu gewährleisten, empfehlen wir Ihnen folgende Punkte zu beachten:

1. Stellen Sie eine trockene und saubere Luftdruckversorgung sicher.
2. Vermeiden Sie übertriebenen Einfluss von Luftfeuchtigkeit und Lösemittel.
3. Reinigen Sie das Außengehäuse nur mit Amylalkohol.
4. Reinigen die LCD Anzeige nur mit einem weichen Tuch.
5. Reinigen Sie den Einspritzstab regelmäßig mit Lösemittel.
6. Reinigen Sie die Auffangschale regelmäßig mit Lösemittel.

15. GEWÄHRLEISTUNG

OK International garantiert dem Erstbesteller Freiheit von Material und Fertigungsfehler für die Zeit von einem (1) Jahr. Jedoch nicht für die normale Abnutzung und Schäden durch fehlerhafte Installation und Umgang. Defekte Produkte oder Teile werden innerhalb der Gewährleistung nach Ermessen durch OK International kostenfrei repariert oder ersetzt. Kunden mit einem defekten Gerät müssen innerhalb der Gewährleistung den nächsten OK International Standort oder Händler kontaktieren, um eine Rücksendungsfreigabe von OK International vor der Rücksendung des Gerätes zum nächsten OK International Service-Center zu erhalten. Für den nächsten OK International Büro oder Händler, informieren Sie sich bitte auf der Homepage www.okinternational.com. OK International behält sich das Recht vor Produktveränderungen und insbesondere Produktverbesserungen ohne vorherige Notiz vorzunehmen.

16. APPENDIX - 16.1 Ersatzteile und Zubehör:

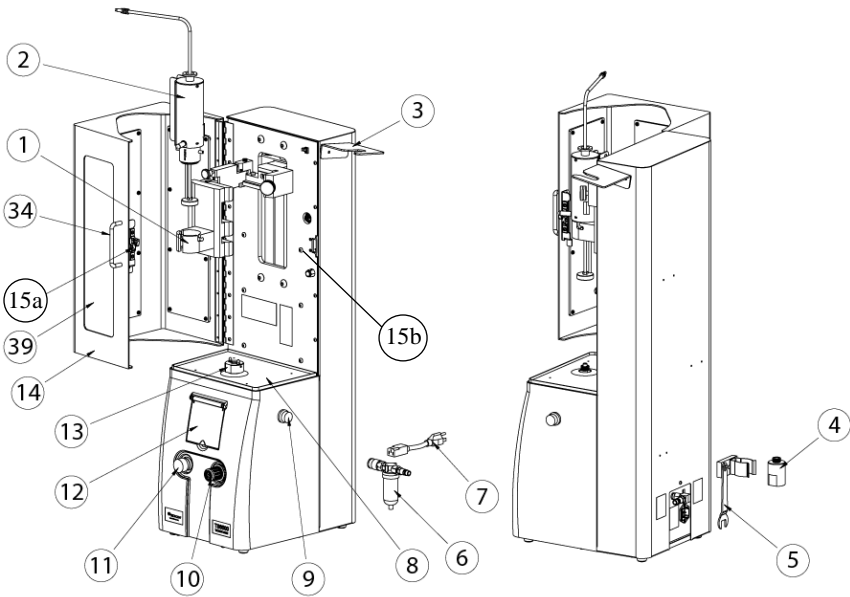


Bild. 17.0 Hauptgerät

Teil	Artikel Nummer	Beschreibung	Menge
1	7091-9010	Kartuschenhalter, 2.5/6/8oz	1
	7091-9030	Kartuschenhalter, 20 oz	1
2	7091-9040	Bajonettkopf, 2.5oz/6oz/8oz	1
	7091-9060	Bajonettkopf, 20 oz	1
3	7091-0740	Bajonettkopfhalter	1
4	7091-0120	Drehantriebadapter	1
5	7091-0530	Maulschlüssel, flach	1
6	7091-9080	Luftfilterbaugruppe (Filter Allein=2700-0048)	1
7	6002-0703	Stromkabel	1
8	7091-0500	Auffangschale	1
9	5100-0079	Startknopf	1
10	TSD500-29	Druckluftregler	1
11	5100-0078	Not Aus Schalter	1
12	7091-0510	Anzeigenabdeckung	1
13	7091-9180	Drehantrieb	1
14	7091-0430	Sicherheitstür	1
15a	5100-0077	Sicherheitstürverschluss	1
15b	5100-0109	Sicherheitsschalter	1

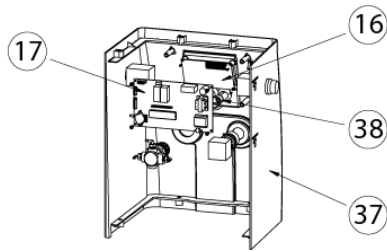


Bild. 18.0 Innenseite Frontabdeckung

Teil	Artikel Nummer	Beschreibung	Menge
16	2900-0015	LCD	1
17	7091-9000	PCBA, Techkit Mischer	1

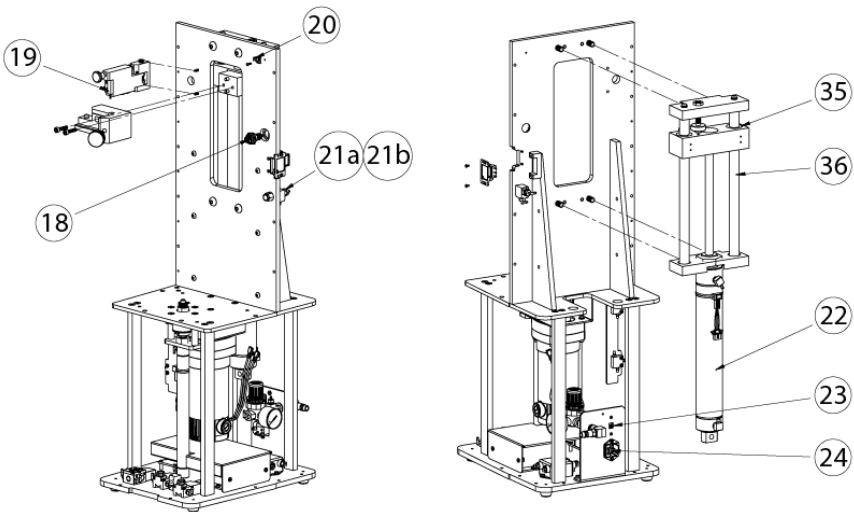


Bild. 19.0 Innenseite, Bauebene 1

Teil	Artikel Nummer	Beschreibung	Menge
18	535	Druckluftsteckdose	1
19	5500-0008	Füllstandssensor	1
20	3300-0408	Schlauchhalterung 1/4"	1
21a	2600-0162	Druckablassventil	1
21b	2600-0163	Druckablass-schalter	1
22	7091-9140	Hauptzylinder	1
23	5100-0060	Spannungswahlschalter	1
24	2100-0372	Stromeingang	1

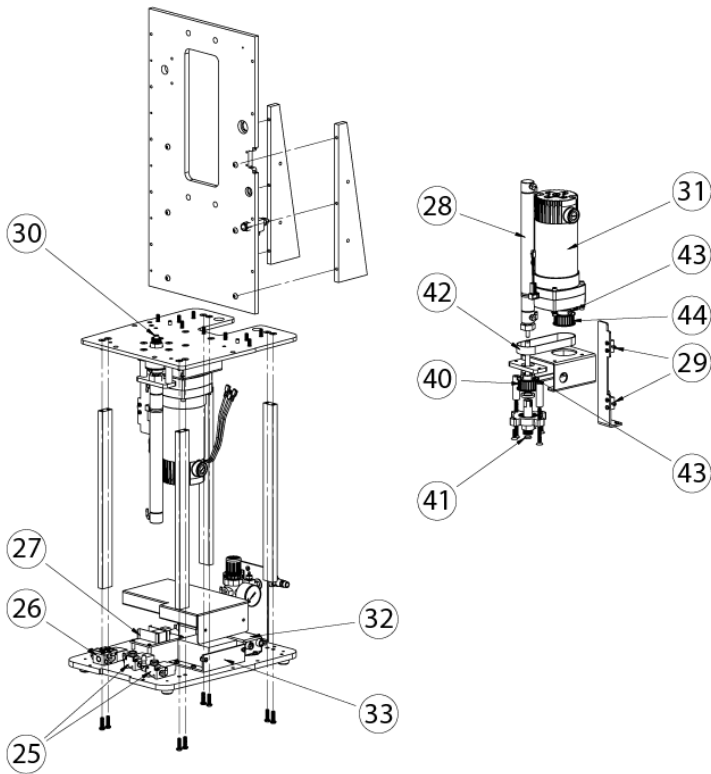


Bild. 20.0 Innenseite, Bauebene 2

Teil	Artikel Nummer	Beschreibung	Menge
25	TSD650-21	Magnetventil	2
26	2600-0132	Magnetventil, 4-Wege	1
27	1700-0027	DC Stromzufuhr	1
28	7091-9150	Druckzylinder, Einspritzstab	1
29	TSD210-6	Druckregler	1
30	7091-9130	Drehantriebswelle	1
31	7091-9160	Motor - Baugruppe	1
32	2700-0046	Filter, EMI, 115/250 VAC, 3A 50-60Hz	2
33	7091-9120	Motorsteuerung	1

ITEM	PART NUMBER	DESCRIPTION	QTY
34	3300-0409	GRIFF, M4 X 96MM LG, SCHWARZ ANODIZE	1
35	3300-0465	LINEAR BUSING, .75 IDX1.250DX1.63 LG, FRELON-LINED	2
36	7091-0210	GUIDE SHAFT	2
37	7091-0450	ABDECKUNG, BASIS	1
38	7091-0540	KNOPF-AUFLAGE	1
39	7091-0670	PANEL ACRYL	3
40	7091-0850	ZEITPULLE MODIFIZIERT, SPINDELWELLE	1
41	3300-0403	O-RING, 8,3 MM ID X 13,1 MM OD X 2,4 MM CS., BUNA-N	1
42	3300-0557	ZAHNRIEMEN, TS6500	1
43	2800-0838	SCHRAUBE, SET, M4 X 5MM, EXT. PUNKT, STAHL, BLK.	2
44	7091-0840	ZEITPULLE MODIFIZIERT, MOTORWELLE	3

16.2 Techkit Artikelnummern

Größe	Artikelnummer	Stablänge	Techkit-System
2.5 oz. (60ml)	250-61T	6" (152mm)	Trennkammer
	250-81T	8" (203mm)	Trennkammer
	250-60	6" (152mm)	Einspritzsystem
	250-80	8" (203mm)	Einspritzsystem
6.0 oz. (160ml)	600-61T	6" (152mm)	Trennkammer
	600-81T	8" (203mm)	Trennkammer
	600-60	6" (152mm)	Einspritzsystem
	600-80	8" (203mm)	Einspritzsystem
8.0 oz. (220ml)	800-61T	6" (152mm)	Trennkammer
	800-81T	8" (203mm)	Trennkammer
	800-60	6" (152mm)	Einspritzsystem
	800-80	8" (203mm)	Einspritzsystem
20 oz. (550ml)	200-81T	8" (203mm)	Trennkammer
	200-80	8" (203mm)	Einspritzsystem
1/10 gal (310ml)	110-81T	8" (203mm)	Trennkammer
	110-80	8" (203mm)	Einspritzsystem



LOCAL DISPENSING SOLUTIONS WORLD WIDE

**Techcon Systems Corporate Headquarters,
10800 Valley View Street, Cypress, California, 90630,
USA.**

Tel: 1-714-230-2398, Fax: 1-714-230-2393

E-mail: [OEMorders@okinternational.com](mailto: OEMorders@okinternational.com)

**Techcon Systems European Corporate Office,
Eagle Close, Chandler's Ford Industrial Estate,
Eastleigh, Hampshire, SO53 4NF, UK.**

Tel: +44 2380 489 100, Fax: +44 2380 489 109

E-mail: [europe-orders@okinternational.com](mailto: europe-orders@okinternational.com)

Or visit www.techcon.com

Techcon Systems
TS6500CIM
Mélangeur automatique Techkit

Manuel d'utilisation
Français



SOMMAIRE

Numéro de page

1.	Sécurité.....	55
2.	Déballage et inspection.....	55
3.	Description	56
4.	Définitions des symboles.....	56
5.	Arrêt d'urgence.....	56
6.	Spécifications.....	57
7.	Caractéristiques et fonctions.....	58-62
	7.1 Caractéristiques.....	58-60
	7.2 Fonctions et fonctionnement.....	61-62
8.	Installation et fonctionnement.....	63-69
	8.1 Sélection de la tension et remplacement des fusibles.....	63
	8.2 Installation du bac en plastique.....	64
	8.3 Installation de broche et d'extension.....	64-65
	8.4 Allumer l'appareil.....	65-66
	8.5 Préparation du kit de cartouche.....	66
	8.6 Charger le kit de cartouche.....	67
	8.7 Configuration du programme de cycle de mélange.....	68
	8.8 Démarrer l'appareil.....	68
	8.9 Décharger le kit de cartouche.....	68
	8.10 Mode manuel.....	68-69
9.	Contrôle de la vitesse.....	69
	9.1 Pour le cylindre pneumatique principal.....	69
	9.2 Pour la tige d'injection.....	69
10.	Dépannage.....	70
11.	Sélection de programme.....	71
12.	Réinitialisation du compteur de cycle.....	71
13.	Installation du support de cartouche.....	71-72
14.	Maintenance	73
15.	Garantie.....	73
16.	Annexe	
	16.1 Liste de pièces de rechange.....	74-76
	16.2 Tableau des numéros de pièces Techkit.....	77

1. SÉCURITÉ

Objectif d'utilisation:

AVERTISSEMENT: *L'utilisation de cet équipement par moyens autres que ceux décrits dans ce Manuel d'utilisation peut entraîner des blessures aux personnes ou des dommages à la propriété. N'utilisez cet équipement que de la façon décrite dans ce Manuel d'utilisation.*

OK International ne peut être tenu pour responsable des blessures et dommages résultant d'une utilisation non voulue de son équipement. Les utilisations non voulues peuvent résulter des actions suivantes:

- Apporter des modifications à l'équipement qui n'ont pas été recommandées dans le Manuel d'utilisation
- Utiliser des pièces de rechange incompatibles ou endommagées. Utiliser des accessoires ou des équipements auxiliaires non approuvés

Précautions de sécurité:

- N'utilisez pas à l'excès cet appareil à des vitesses/réglages maximums
- Portez toujours des vêtements ou un équipement de protection individuelle appropriés
- Des précautions doivent être prises pour empêcher la pénétration de liquide corrosif ou inflammable à l'intérieur. Reportez-vous à la Fiche de Données de Sécurité pour la manipulation correcte et les précautions de sécurité
- Ne fumez pas et n'utilisez pas l'appareil près d'une flamme ouverte lorsque des matériaux inflammables sont distribués
- L'équipement est destiné à un usage en intérieur uniquement.

2. DÉBALLAGE ET INSPECTION:

Ouvrez délicatement la caisse et examinez tous les éléments de son contenu intérieur.

Les éléments suivants doivent être inclus:

1. Assemblage principal TS6500CIM – dans le compartiment principal
2. Pièces accessoires – emballées dans une boîte et stockées dans un compartiment d'accessoires, comprenant:

Description (Quantité)	Description (Quantité)
Support de cartouche (1)	Filtre à air (1)
Piston (1)	Support de clé (1)
Support d'outil (1)	Manuel d'utilisation (1)
Support de piston (1)	Flexible pneumatique (1)
Joint torique de rechange (5)	Fusible (1)
Broche (1)	Cordon d'alimentation (1)
Extension de broche (1)	Vis (8)

3. DESCRIPTION

Le mélangeur automatique Techkit de la série TS6500CIM permet le mélange complet automatique de matériaux à deux composants emballés dans une cartouche. Équipé d'une alimentation universelle, le mélangeur TS6500 est immédiatement utilisable partout dans le monde. Le dispositif de détection automatique du fluide facilite l'installation et la configuration par opérateur de kit de cartouche de toutes les tailles. Le micrologiciel convivial fournit jusqu'à 10 séquences de mélange programmables avec le stockage pour 10 profils.




La série TS6500CIM est disponible en cinq versions:

- TS6500CIM-20 pour kits de 2,5 (60 ml), 6,0 (160 ml) et 8,0 onces (220ml)
- TS6500CIM-20 pour kit de 20 onces (550 ml)
- TS6500CIM-RS-6 pour 6,0 oz. (160 ml) Kit avec vitesse de moteur réduite (116 tr / min)
- TS6500CIM-SMR-6 pour 6,0 oz. (160ml) Kit avec tige de mélange en acier
- TS6500CIM-SMR-20 pour 20 oz. (550 ml) Kit avec tige de mélange en acier

Les kits de conversion suivants sont également disponibles à votre convenance:

- Kit de conversion CK6500-6 pour kits de 2,5 (60 ml), 6,0 (160 ml) et 8,0 onces (220 ml)
- Kit de conversion CK6500-10 pour kit de 1/10 gallon (310 ml)
- Kit de conversion CK6500-20 pour kit de 20 onces (550 ml)

4. DÉFINITIONS DES SYMBOLES

Symbol	Definition
	Power On/Off
	Cycle Mode
	Set-Up

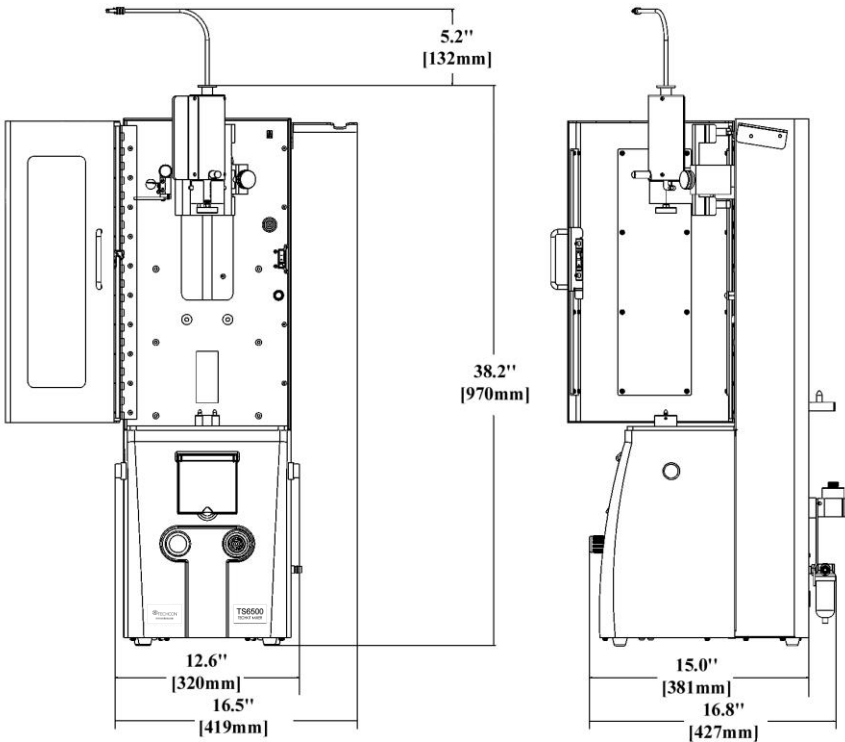
5. ARRÊT D'URGENCE

En cas d'urgence, le mélangeur peut être arrêté à tout moment en appuyant sur le BOUTON D'ARRÊT D'URGENCE, (Fig 2, 10). Une fois les problèmes corrigés, la machine peut être redémarrée en tirant et en tournant le bouton d'arrêt d'urgence vers la gauche. Le cycle de mélange recommencera au début.

6. SPÉCIFICATIONS

La taille	420 mm (16,5") X 426 mm (16,8") X 970 mm (38,2")
Poids	36 kg (80lbs)
Tension d'entrée	120/230 V, 50/60 Hz
Fusible	2 A @ 120 V/230 V
Vitesse du moteur	139 TPM
Couple du moteur	4,7 Nm (42 in-lb)
Utilisation en intérieur	Altitude jusqu'à 2 000 m (6 562 ft)
Température de fonctionnement	0 °C à 50 °C (32 °F à 122 °F)
Température de stockage	-10 °C à 60 °C (14 °F à 140 °F)
Humidité relative maximale	80 % pour les températures jusqu'à 31 °C (87.8°F) diminuant linéairement à 50 % d'humidité relative à 40 °C (104°F)
Entrée d'air	3,5 à 6,9 bars (50 à 100 psi)
Affichage	Écran LCD 20 X 4 segments d'affichage

Figure 1.0 Dimensions extérieure



7. CARACTÉRISTIQUES ET FONCTIONS

7.1 Caractéristiques

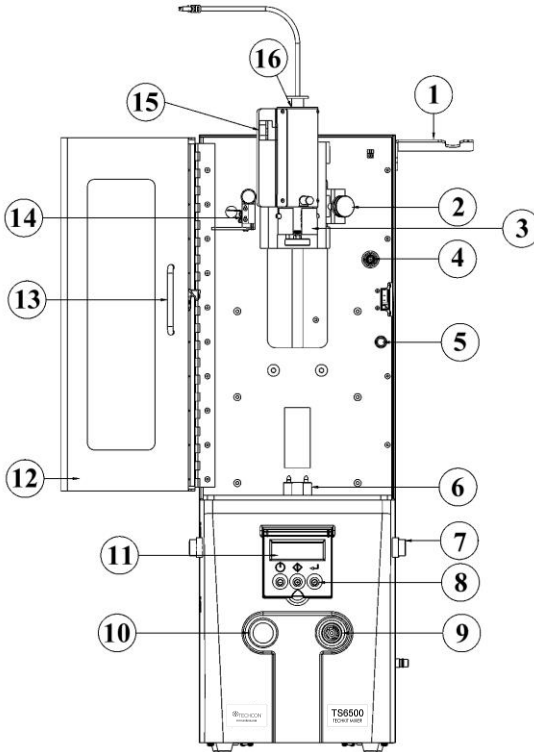


Figure 2.0 Vue avant

ÉLÉMENT	DESCRIPTION	ÉLÉMENT	DESCRIPTION
1	Support de piston	9	Régulateur d'air
2	Support de cartouche	10	Bouton d'arrêt d'urgence
3	Guide de coupe	11	Écran LCD
4	Entrée d'air du piston	12	Couvercle de sécurité
5	Vanne de sécurité	13	Poignée
6	Broche d'entraînement avec tige d'injection	14	Capteur de niveau de fluide
7	Boutons de démarrage	15	Aimant de capteur de niveau de fluide
8	Boutons de commande	16	Piston, piston

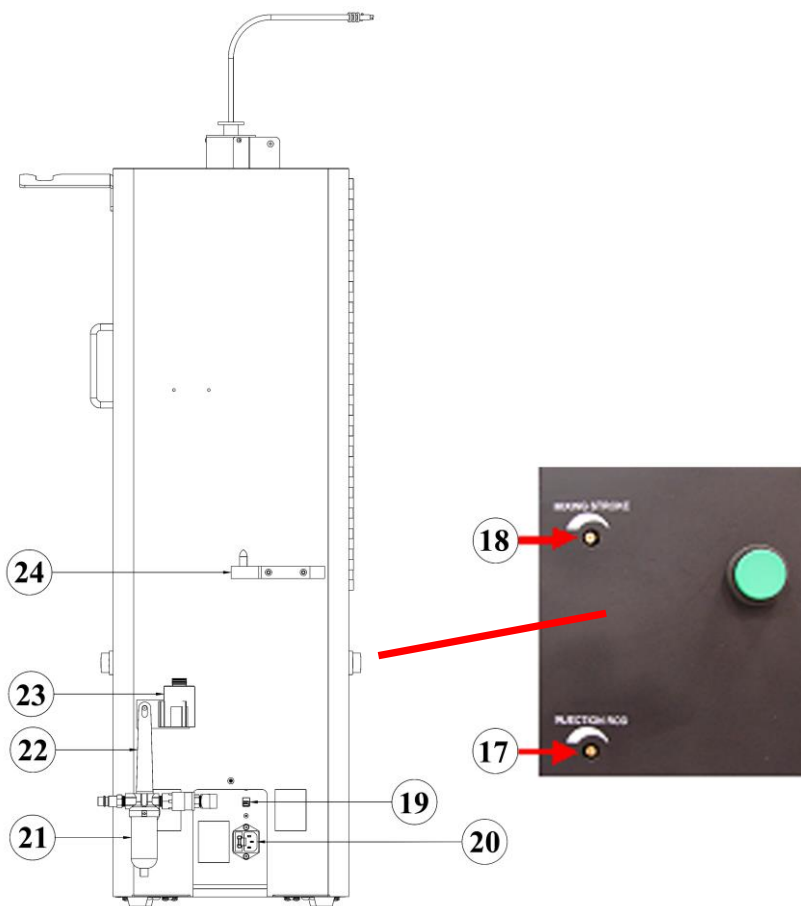


Figure 3.0 Vue arrière

ÉLÉMENT	DESCRIPTION	ÉLÉMENT	DESCRIPTION
17	Contrôle de débit, tige d'injection	21	Filtre à air
18	Contrôle de débit, cylindre principal	22	Clé
19	Interrupteur de sélection de tension	23	Support d'accessoires
20	Prise d'alimentation entrante avec coffre à fusible	24	Support de cartouche

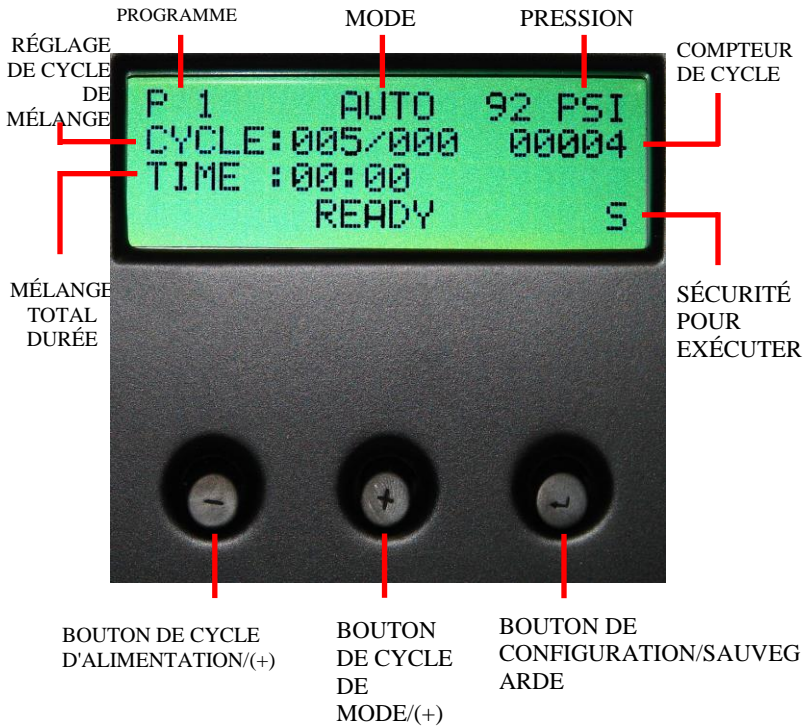


Figure 4.0 Identification des boutons et des écrans



Figure 5.0 Identification de l'écran de configuration

7.2 Fonctions et fonctionnement

	DESCRIPTION	FONCTION
1	Support de piston	<ul style="list-style-type: none"> • Maintient le piston lorsqu'il n'est pas utilisé
2	Support de cartouche	<ul style="list-style-type: none"> • Maintient le kit de cartouche • Opère en même temps que le piston et le guide de coupe pour entraîner la cartouche en haut et en bas pour mélanger
3	Guide de coupe	<ul style="list-style-type: none"> • Opère avec le piston et le support de cartouche pour entraîner en haut et en bas la cartouche pour mélanger
4	Entrée d'air du piston	<ul style="list-style-type: none"> • Alimente en air le piston
5	Vanne de sécurité	<ul style="list-style-type: none"> • Relâche la pression du piston lorsque la porte est ouverte
6	Broche d'entraînement avec tige d'injection	<ul style="list-style-type: none"> • Imprime la rotation aux tiges pendant le cycle de mélange • Injecte le durcisseur dans la résine
7	Boutons de démarrage (vert)	<ul style="list-style-type: none"> • Démarre l'appareil • Appuyez sur les boutons verts simultanément pour démarrer
8	Boutons de commande	<ul style="list-style-type: none"> • Boutons d'entrée (voir Fig. 4.0 et Fig. 5.0)
9	Régulateur d'air	<ul style="list-style-type: none"> • Régule la pression d'air dans l'appareil
10	Bouton d'arrêt d'urgence (rouge)	<ul style="list-style-type: none"> • Arrête l'appareil en cas d'urgence • Appuyez dessus pour le faire fonctionner • « E-Stop! » s'affichera, • Pour réinitialiser, tournez le bouton d'arrêt d'urgence sur un quart de tour vers la droite
11	Afficheur à cristaux liquides	<ul style="list-style-type: none"> • Affiche l'état de l'appareil, le fonctionnement et les messages d'erreur.
12	Couvercle de protection (de sécurité)	<ul style="list-style-type: none"> • Protège les opérateurs lorsque la machine fonctionne
13	Disque du piston	<ul style="list-style-type: none"> • Pièce du piston
14	Capteur de niveau de fluide	<ul style="list-style-type: none"> • Capte le niveau de fluide en haut de la cartouche

15	Aimant de niveau de fluide	<ul style="list-style-type: none"> • Fonctionne avec le capteur de niveau de fluide
16	Piston	<ul style="list-style-type: none"> • Verrouille la cartouche en place • Applique une pression ferme pour prévenir le piégeage de l'air
17	Contrôle de débit, cylindre principal	<ul style="list-style-type: none"> • Contrôle la vitesse du cylindre principal • Imprime une rotation à la vis de contrôle de débit vers la droite pour augmenter la vitesse. • Imprime une rotation à la vis de contrôle de débit vers la gauche pour diminuer la vitesse
18	Contrôle de débit, tige d'injection	<ul style="list-style-type: none"> • Contrôle la vitesse de la tige d'injection • Imprime une rotation à la vis de contrôle de débit vers la droite pour augmenter la vitesse. • Imprime une rotation à la vis de contrôle de débit vers la gauche pour diminuer la vitesse
19	Interrupteur de sélection de tension	<ul style="list-style-type: none"> • Sélectionne la tension 115 V ou 230 V
20	Prise d'alimentation entrante avec coffret à fusibles	<ul style="list-style-type: none"> • Connexion d'alimentation entrante
21	Filtre à air	<ul style="list-style-type: none"> • Fournit la filtration de l'air
22	Clé	<ul style="list-style-type: none"> • Utilisé pour installer le filtre à air et la broche d'entraînement
23	Support d'accessoires	<ul style="list-style-type: none"> • Pour maintenir la clé et les autres accessoires
24	Support de cartouche	<ul style="list-style-type: none"> • Pour maintenir le support de cartouche supplémentaire

8. INSTALLATION ET FONCTIONNEMENT

AVERTISSEMENT: Cet appareil est équipé d'un interrupteur de sélection de tension. Veuillez vous assurer que le sélecteur de tension est réglé pour correspondre à l'entrée de tension.

8.1 Sélection de la tension et remplacement des fusibles

1. Sélectionnez la tension appropriée en faisant glisser le sélecteur de tension vers le haut ou vers le bas

Plage de tension	Réglage de tension	Fusible
100V – 120V	115V	2 A, Type F
220V – 240V	230V	2 A, Type F

Remplacement de fusible : L'appareil est livré avec le fusible installé. Si le fusible doit être remplacé, veuillez suivre les instructions ci-dessous

2. Retirez le porte-fusible à l'aide d'un tournevis à tête plate pour l'ouvrir.
3. Insérez un fusible dans le boîtier à fusibles, reportez-vous au tableau ci-dessus
4. Réinstallez le porte-fusible dans l'appareil

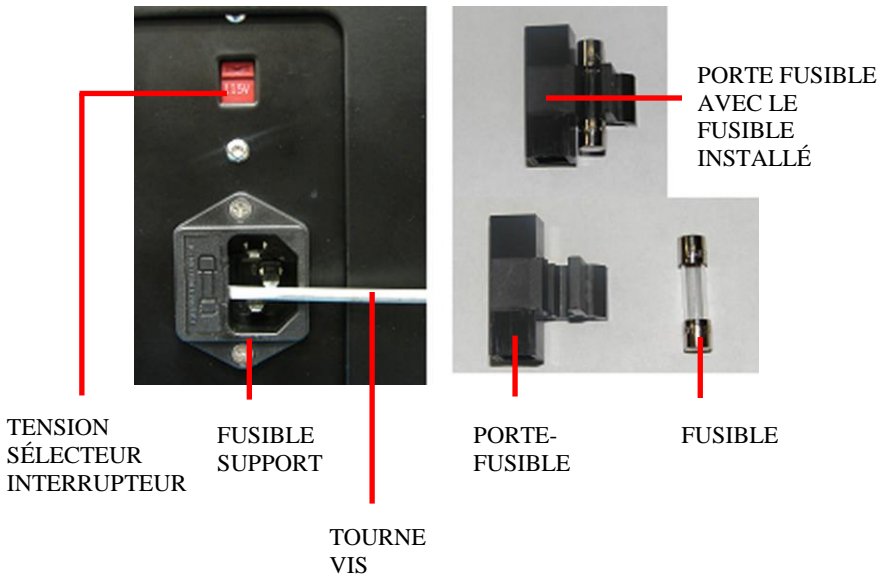


Figure 6.0 Installation du fusible

8.2 Installation du bac en plastique

L'appareil est livré avec un bac en plastique pour empêcher toute projection de substance dans le panneau de contrôle principal. Assurez-vous d'installer le bac en plastique sur la plaque de base en alignant les quatre pattes dans les trous de la plaque de base.

8.3 Installation de broche et d'extension

L'appareil est livré avec la broche désinstallée. Pour installer la broche, alignez-la sur l'arbre d'entraînement du moteur puis tournez vers la droite.

Remarque: La broche est conçue pour mélanger les kits de cartouche avec une tige de mélange de 203 mm (8"). Pour mélanger les kits de cartouche avec une tige de mélange de 152 mm (6"), l'extension de broche doit être installée. Suivez les instructions ci-dessous pour installer l'extension de broche.

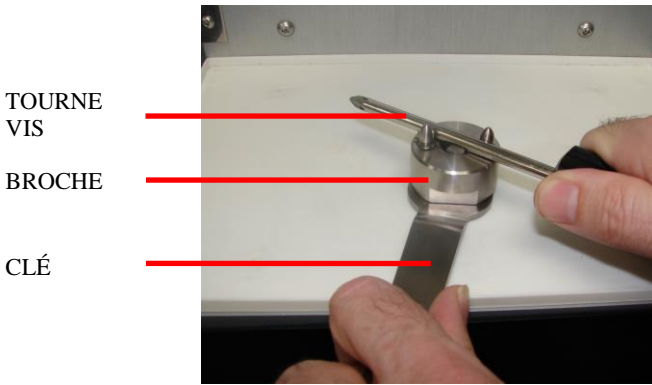


Figure 7.0 Retirer la broche



Figure 8.0 Broche avec extension

1. Placez la clé sur l'arbre du moteur (au dessous de la clé).
2. Placez un tournevis entre les deux goupilles de verrouillage de la broche.
3. Maintenez la clé et tournez le tournevis vers la gauche pour dévisser la broche.
4. Retirez la broche de l'arbre du moteur.
5. Installez l'extension de broche sur l'arbre du moteur en la tournant vers la droite.
6. Installez la broche sur l'extension de broche en la tournant vers la droite.

8.4 Allumer l'appareil

Attention : Assurez-vous qu'un fusible approprié est installé et qu'une tension appropriée est sélectionnée. Reportez-vous à la section 8.1 pour les instructions.

1. Insérez le cordon d'alimentation sur la prise d'alimentation (Fig. 3, 20).
2. Raccordez le filtre à air à la prise d'air (Fig. 3, 21).
3. Raccordez le flexible pneumatique au filtre à air.

Attention: Le filtre à air (7091-9080), fourni avec l'appareil, doit être installé pour assurer un filtrage approprié de l'air.



FILTRE À AIR

CORDON
D'ALIMENTATION

Figure 9.0 Connexion d'air et d'alimentation

4. Configurez la pression d'air à 5,5 bars (80 psi) minimum.
 - Imprimez une rotation au bouton de régulation de la pression d'air (Fig. 2, 9) vers la droite pour augmenter la pression d'air.
 - Imprimez une rotation au bouton de régulation de la pression d'air vers la gauche pour diminuer la pression d'air.

5. La pression d'air désirée s'affiche à l'écran.
6. Allumez l'appareil en appuyant sur le bouton d'alimentation (Fig. 4). Le support de cartouche doit se déplacer vers le haut en position d'accueil. S'il ne bouge pas, vérifiez la connexion de pression.

8.5 Préparation du kit de cartouche

Kit d'injection:

Le mélangeur TS6500 possède un dispositif d'injection automatique qui injectera le durcisseur dans le catalyseur avant que le cycle de mélange ne commence. Toutefois, la vanne dans la tige de mélange doit être ouverte avant de placer le kit dans la machine. Suivez les instructions ci-dessous pour ouvrir la vanne.

1. Insérez la tige de piston dans la tige de mélange.
2. Poussez la tige de piston pour forcer l'ouverture de la vanne.
3. Suivez les instructions de la section 8.7 pour mélanger le kit d'injection.

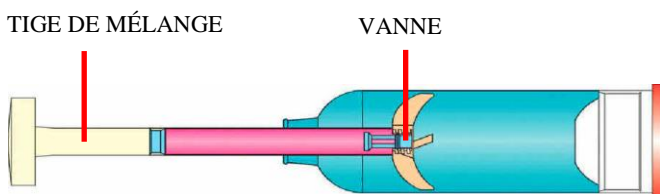


Figure 10.0 Kit d'injection

Kit de barrière

4. Retirez la bande de barrière du kit.
5. Tirez la tige de mélange vers le bas au maximum pour retirer l'opercule de la palette.
6. Suivez les instructions de la section 8.7 pour mélanger le kit de barrière

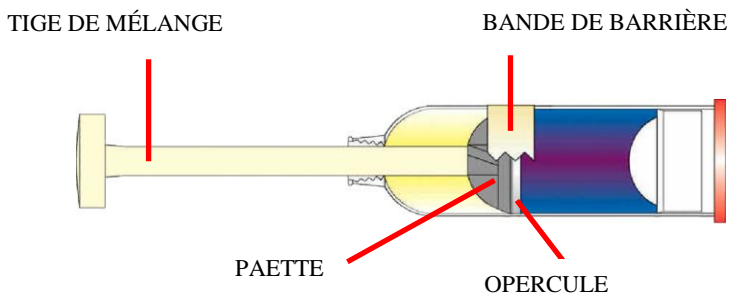


Figure 11.0 Kit de barrière

8.6 Charger le kit de cartouche

Remarque: L'appareil est configuré pour mélanger un lot de cartouche avec une tige de mélange de 203 mm (8"). Pour mélanger un kit de cartouche avec une tige de mélange de 152 mm (6"), l'extension de broche doit être installée. Reportez-vous à la section 8.3 pour les instructions.

1. Ouvrez le couvercle de sécurité (Fig. 2.0, 12).
2. Chargez le kit de cartouche dans le support de cartouche (Fig. 2.0, 2).
3. Tirez la tige de mélange au maximum et alignez les deux à travers les trous de la tige à la broche d'entraînement (Fig. 2.0, 6).
4. Tournez légèrement le kit de cartouche vers la droite pour le verrouiller la broche.
3. Insérez le piston (Fig. 2.0,16) dans le support de cartouche avec le piston correctement installé dans la cartouche.
4. Alignez les douilles de positionnement du piston avec les fentes à baïonnette du support de cartouche et tournez vers la gauche jusqu'à ce qu'il se verrouille.
5. Raccordez le flexible pneumatique dans la prise d'air du piston (Fig. 2.0, 4).
6. Fermer le couvercle de sécurité.

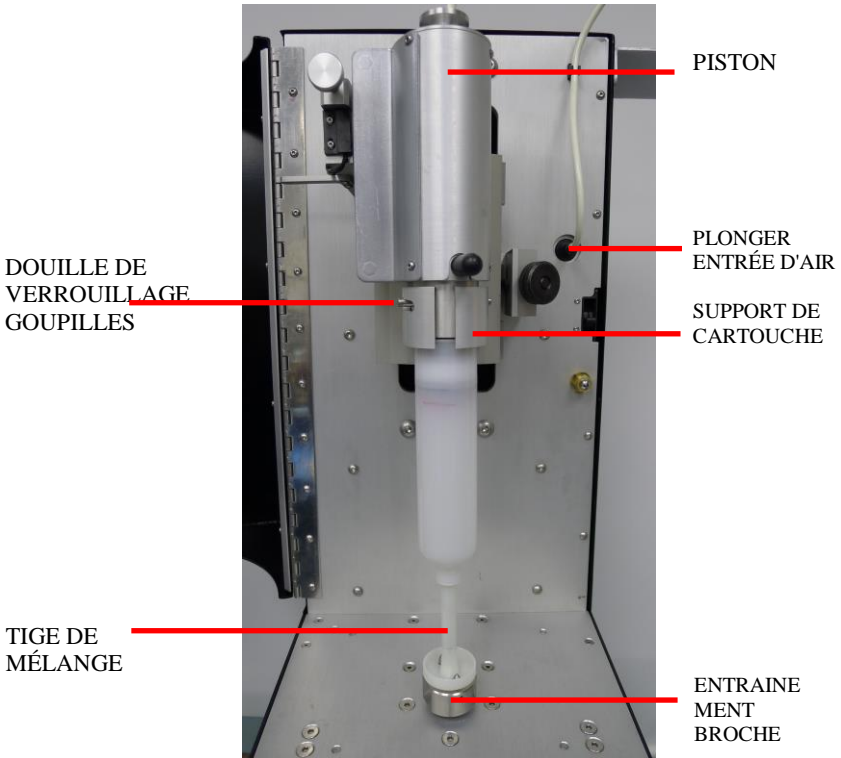


Figure 12.0 Charger le kit de cartouche

8.7 Configuration du programme de cycle de mélange

Reportez-vous à la Figure 4.0.

1. Appuyez sur le bouton Mode pour sélectionner le mode Automatique.
2. Appuyez sur le bouton de configuration pendant 3 secondes pour afficher l'écran de configuration.
2. Appuyez sur le bouton de configuration pour déplacer le curseur sur l'indicateur « CYCLE ».
3. Appuyez sur les boutons (+) et (-) pour régler le nombre de cycles de mélange requis.
5. Si un temps de retard est requis, appuyez sur le bouton de configuration pour déplacer le curseur sur l'indicateur « DELAY », puis appuyez sur les boutons (+) et (-) pour ajuster le temps de délai d'attente en course ascendante et descendante. (Figure 5.0 D: descendant / U: ascendant)
6. Appuyez sur le bouton de configuration pendant 3 secondes pour sauvegarder les données. L'appareil est maintenant prêt à fonctionner.

a. Démarrage l'appareil

1. Assurez-vous que l'appareil est en mode Automatique et que le profil désiré a été sélectionné.
2. Appuyez puis relâchez les boutons Démarrer (Vert) (figure 2.0, 7) simultanément.
3. L'appareil exécutera le profil sélectionné. Le comptage de cycle et le temps écoulé s'afficheront sur l'écran LED.

b. Décharger le kit de cartouche

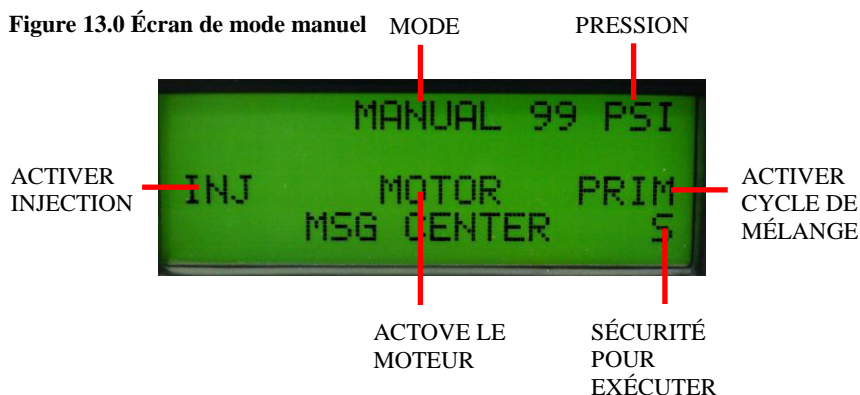
1. La machine s'arrêtera automatiquement une fois les cycles de mélange terminés.
2. Ouvrez le couvercle de protection (Fig. 2.0, 12).
3. Retirez le collier de maintien de piston (Fig. 2.0, 16) en le tournant vers la droite.
4. Placez le collier de maintien du piston sur le support latéral (Fig. 2.0, 1).
5. Tournez le kit de cartouche vers la droite pour le retirer de la broche d'entraînement.
6. Tirez sur le kit de cartouche pour le retirer du support de cartouche.

8.10 Mode manuel

En mode manuel, la tige d'injection, le cylindre principal et le moteur de la broche d'entraînement peuvent être commandés indépendamment. Remarque : en mode manuel les erreurs ne stoppent pas le fonctionnement des moteurs. Reportez-vous à la Figure 13.0.

1. Appuyez sur le bouton Mode pendant 3 secondes pour sélectionner le mode Manuel
2. Appuyez sur le bouton d'alimentation (-) pour activer la tige d'injection (latige d'injection se déplace vers le haut).
3. Appuyez sur le bouton Mode (+) pour activer le moteur (la broche d'entraînement entre en rotation).

- Appuyez sur le bouton de configuration (\downarrow) pour activer le cylindre principal (le support de cartouche se déplace vers le haut et vers le bas).



9. CONTRÔLE DE LA VITESSE

9.1 Pour le cylindre pneumatique principal

Le cylindre pneumatique principal entraîne le kit de cartouche vers le haut et vers le bas. La vitesse de course du cylindre pneumatique principal peut être ajustée en tournant la vis de contrôle de débit (Fig. 14.0) vers la gauche pour augmenter la vitesse et vers la droite pour la diminuer.

9.2 Pour la tige d'injection

Le cylindre pneumatique de la tige d'injection entraîne la tige d'injection vers le haut et vers le bas. La vitesse d'injection peut être ajustée en tournant la vis de contrôle de débit (Fig. 14.0) vers la gauche pour augmenter la vitesse et vers la droite pour la diminuer.

Remarque: Pour les modèles TS6500CIM-SMR-6 et TS6500CIM-SMR-20, le contrôle du débit de la tige d'injection est désactivé en usine. Pour réactiver la tige d'injection, tournez lentement la vis de contrôle du débit dans le sens inverse des aiguilles d'une montre jusqu'à ce que la vitesse souhaitée soit atteinte.

CYLINDRE PNEUMATIQUE PRINCIPAL DE CONTRÔLE DE DÉBIT

TIGE D'INJECTION DE CONTRÔLE DE DÉBIT

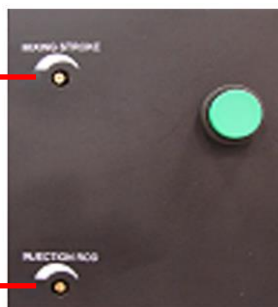


Figure 14.0 CONTRÔLE DU FLUIDE

10. DÉPANNAGE

PROBLÈME	CAUSE POSSIBLE	CORRECTION
L'appareil ne démarre pas	<ul style="list-style-type: none"> • Pas d'alimentation entrante • Le bouton d'arrêt d'urgence est enfoncé • La porte de sécurité n'est pas bien refermée 	<ul style="list-style-type: none"> • Vérifiez la connexion d'alimentation • Relâchez le bouton d'arrêt d'urgence • Fermez la porte de sécurité
L'écran LCD ne s'allume pas	<ul style="list-style-type: none"> • Pas d'alimentation entrante 	<ul style="list-style-type: none"> • Vérifiez la connexion d'alimentation • Vérifiez le fusible • Allumez l'appareil
Le cylindre pneumatique ne se déplace pas	<ul style="list-style-type: none"> • Pression d'air insuffisante • Flexible pneumatique non branché • Régulateur défectueux 	<ul style="list-style-type: none"> • Augmentez la pression d'air à 5,5 bars (80 psi) • Vérifiez la connexion d'air • Remplacez le régulateur
le durcisseur n'est pas complètement injecté	<ul style="list-style-type: none"> • Le cylindre pneumatique est endommagé 	<ul style="list-style-type: none"> • Remplacez le cylindre pneumatique
La tige d'injection ne se rétracte pas	<ul style="list-style-type: none"> • La tige d'injection est sale • La tige d'injection est tordue 	<ul style="list-style-type: none"> • Nettoyez la tige • Remplacez la tige
Le matériau n'est pas complètement mélangé	<ul style="list-style-type: none"> • Pas assez de cycle de mélange • Pression d'air insuffisante 	<ul style="list-style-type: none"> • Augmentez le nombre de cycles • Augmentez la pression d'air à 5,5 bars
Le support de cartouche n'est pas en position « Home »	<ul style="list-style-type: none"> • Pression d'air insuffisante • Flexible pneumatique non branché 	<ul style="list-style-type: none"> • Augmentez la pression à 5,5 bars (80 psi) • Vérifiez la connexion d'air
La tige de mélange n'atteint pas la broche	<ul style="list-style-type: none"> • L'extension de broche n'est pas installée pour la tige de 152 mm • La tige de mélange n'est pas complètement étendue 	<ul style="list-style-type: none"> • Installez l'extension de broche pour la tige de 152 mm • Étendez la tige de mélange
Pas de pression sur le piston	<ul style="list-style-type: none"> • Le flexible pneumatique du piston n'est pas raccordé 	<ul style="list-style-type: none"> • Raccordez le flexible pneumatique
Le disque du piston ne s'adapte pas à l'intérieur de la cartouche	<ul style="list-style-type: none"> • Mauvaise taille du disque de piston 	<ul style="list-style-type: none"> • Utilisez un disque de piston de la taille appropriée
Le support de cartouche reste en position basse pendant le cycle de mélange	<ul style="list-style-type: none"> • Le capteur et l'aimant ne sont pas alignés 	<ul style="list-style-type: none"> • Coupez l'alimentation de l'appareil et ajustez l'alignement du capteur et de l'aimant
Le moteur ne fonctionne pas	<ul style="list-style-type: none"> • Pas d'alimentation dans le moteur • Le moteur est noyé 	<ul style="list-style-type: none"> • Vérifiez la connexion du moteur • Remplacez le moteur

11. SÉLECTION DE PROGRAMME

Jusqu'à 10 programmes peuvent être stockés dans le mélangeur TS6500.

1. Appuyez sur le bouton Configuration (Fig. 4.0) pour mettre en surbrillance la sélection du numéro de programme.
2. Appuyez sur les boutons (+) ou (-) pour sélectionner le programme désiré
3. Appuyez sur le bouton Configuration pour quitter.

12. RÉINITIALISATION DU COMPTEUR DE CYCLE

Le compteur de cycle peut enregistrer jusqu'à 99999 cycles de mélange. Pour réinitialiser le compteur de cycle, suivez les instructions ci-dessous :

1. Appuyez sur le bouton Configuration pendant 3 secondes pour entrer dans le mode configuration.
2. Une fois le mode configuration affiché, appuyez à nouveau pendant 3 secondes sur le bouton Configuration jusqu'à ce que le compteur de cycles soit réinitialisé à « 00000 ».

13. INSTALLATION DU SUPPORT DE CARTOUCHE

Reportez-vous aux Fig. 15.0 et 16.0

Le TS6500CIM-6 est configuré pour mélanger le kit de 160 ml (6.0 oz). Pour mélanger les kits de 60 ml (2.5oz) ou de 220 ml (8.0oz) le support de cartouche doit être réinstallé sur les emplacements de montage appropriés comme illustré Fig. 15.

KIT D'EMPLACEMENT DE
MONTAGE 60 ml (2.5 oz)

KIT D'EMPLACEMENT DE
MONTAGE 160 ml (6.0 oz)

KIT D'EMPLACEMENT DE
MONTAGE 220 ml (8.0 oz)



Figure 15.0 Emplacement de montage

Le support de cartouche peut être installé simplement en quelques étapes:

1. Tirez sur le bouton de relâchement et poussez le capteur de niveau de fluide vers la gauche.
2. Relâchez la vis de verrouillage en la tournant vers la droite.
3. Tournez le support de cartouche vers l'extérieur et tirez-le vers le haut pour le retirer de la machine.
4. Installez le nouveau support de cartouche dans l'ordre inverse.
5. Tirez le bouton de relâchement pour tourner le capteur de niveau de fluide dans sa position initiale.

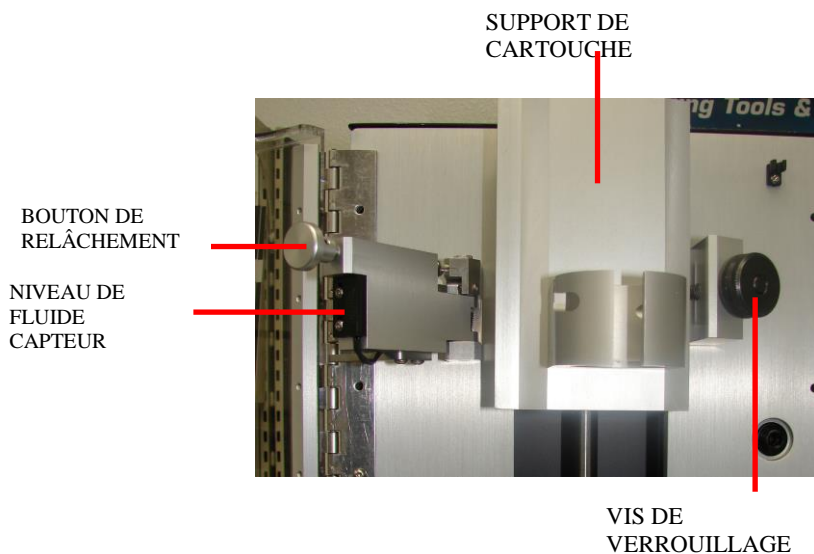


Figure 16.0 Support de cartouche

14. MAINTENANCE

Le mélangeur TS6500 est conçu et construit de façon à minimiser les opérations de maintenance. Pour assurer un fonctionnement sans problèmes, les recommandations suivantes doivent être suivies:

1. Assurez-vous que l'air d'alimentation est propre et sec.
2. Évitez de confronter l'appareil à une humidité excessive ou une saturation de solvant.
3. Utilisez uniquement de l'alcool pour nettoyer la surface extérieure du boîtier principal.
4. Utilisez uniquement un chiffon doux pour nettoyer l'écran LCD.
5. Nettoyez la tige d'injection régulièrement avec un solvant de nettoyage.
6. Nettoyez régulièrement le bac avec un solvant de nettoyage.

15. GARANTIE

OK International garantit ce produit à l'acheteur original pour une période d'un (1) an à compter de la date d'achat contre tous défauts matériels et de fabrication, mais pas contre l'usure normale, l'abus d'utilisation ou une mauvaise installation. Tous les produits ou sous-ensembles et composants défectueux sous garantie seront réparés ou remplacés (à la discrétion de OK International) gratuitement. Le client propriétaire d'un produit défectueux et sous garantie doit communiquer avec le siège ou le distributeur d'OK international le plus proche pour obtenir une autorisation de retour avant d'expédier le produit au centre de réparation agréé OK International désigné. Pour obtenir les informations de contact du siège ou du distributeur OK International le plus proche, rendez-vous à l'adresse www.okinternational.com. OK International se réserve le droit de modifier ses produits d'ingénierie sans préavis.

16. ANNEXE 16.1 - Liste de pièces de rechange

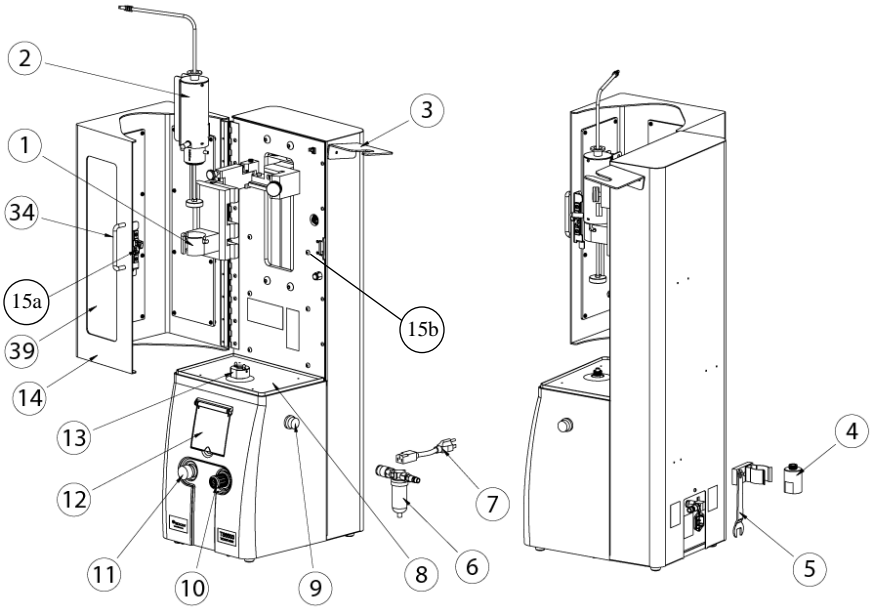


Figure 17.0 Assemblage principal

ÉLÉMENT	D'ARTICLE	DESCRIPTION	QTÉ
1	7091-9010	SUPPORT DE CARTOUCHE, 2.5oz/6oz/8oz	1
	7091-9030	SUPPORT DE CARTOUCHE, 20 oz	1
2	7091-9040	PISTON, 2.5oz/6oz/8oz	1
	7091-9060	PISTON, 20 oz	1
3	7091-0740	SUPPORT DE PISTON	1
4	7091-0120	EXTENSION DE BROCHE	1
5	7091-0530	CLÉ, TÊTE FINE, 19mm	1
6	7091-9080	FILTRE À AIR (Filtre uniquement = 2700-0048)	1
7	6002-0703	CORDON D'ALIMENTATION	1
8	7091-0500	BAC	1
9	5100-0079	BOUTON POUSSOIR DE DÉMARRAGE	2
10	TSD500-29	RÉGULATEUR D'AIR	1
11	5100-0078	INTERRUPTEUR D'ARRÊT D'URGENCE	1
12	7091-0510	COUVERCLE LCD	1
13	7091-9180	BROCHE	1
14	7091-0430	PORTE DE SÉCURITÉ	1
15a	5100-0077	VERROU DE PORTE DE SÉCURITÉ	1
15b	5100-0109	INTERRUPTEUR DE SÉCURITÉ	1

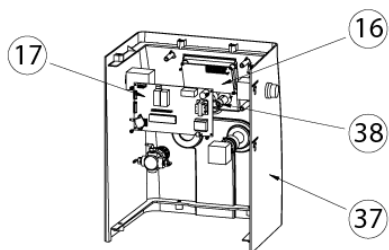


Figure 18.0 Intérieur du couvercle avant

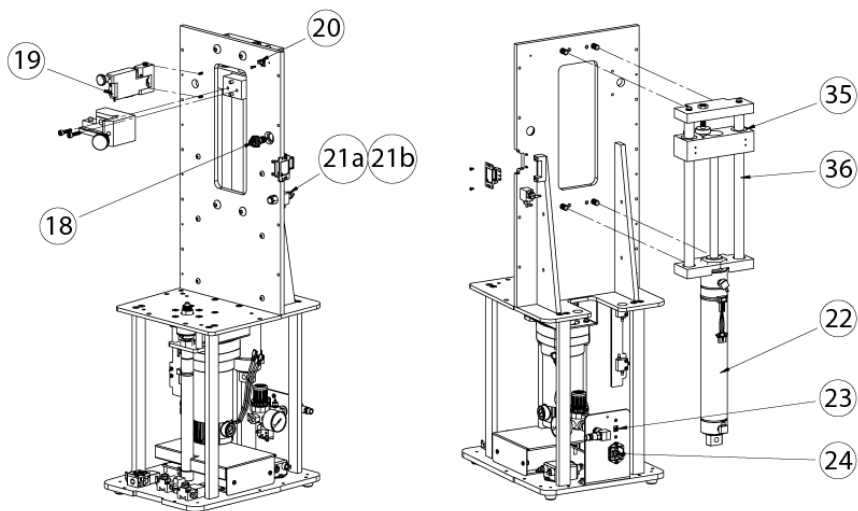


Figure 19.0 Intérieur de niveau un

ÉLÉMENT	D'ARTICLE	DESCRIPTION	QTÉ
16	2900-0015	LCD	1
17	7091-9000	PCBA, MÉLANGEUR TECHKIT	1
18	535	PRISE D'AIR DU PISTON	1
19	5500-0008	CAPTEUR DE NIVEAU DE FLUIDE	1
20	3300-0408	SUPPORT DE TUBE, 1/4" TUBE DIA.	1
21a	2600-0162	TIGE DE VANNE DE SÉCURITÉ	1
21b	2600-0163	ACTIONNEUR DE VANNE DE SÉCURITÉ	1
22	7091-9140	CYLINDRE PNEUMATIQUE PRINCIPAL	1
23	5100-0060	INTERRUPTEUR DE SÉLECTION DE TENSION	1
24	2100-0372	CONNECTEUR D'ALIMENTATION	1

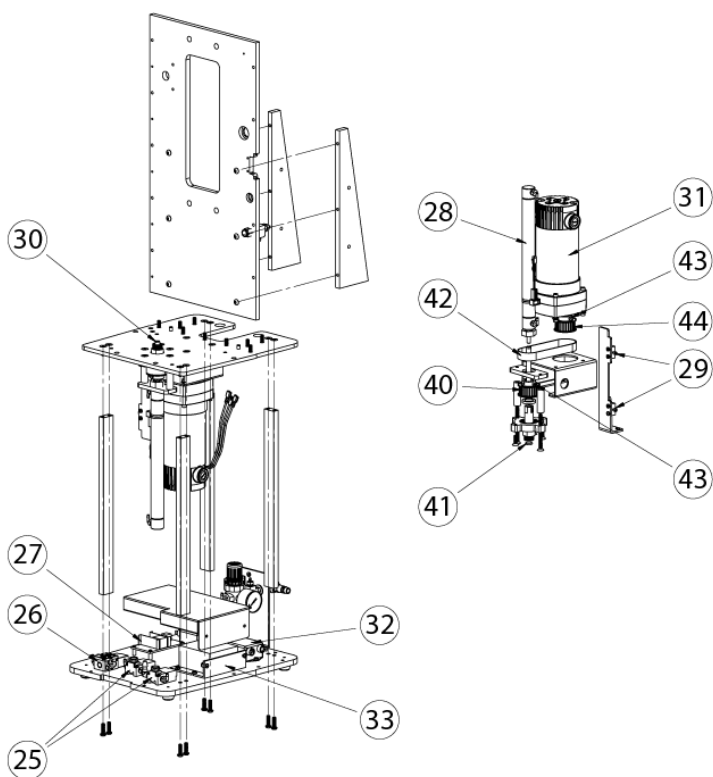


Figure 20.0 Intérieur de niveau 2

ÉLÉMENT	D'ARTICLE	DESCRIPTION	QTÉ
25	TSD650-21	VALVE SOLÉNOÏDE	2
26	2600-0132	VALVE SOLÉNOÏDE, 4-VOIES	1
27	1700-0027	ALIMENTATION CC	1
28	7091-9150	CYLINDRE PNEUMATIQUE, TIGE D'INJECTION	1
29	TSD210-6	CONTRÔLE DU DÉBIT	2
30	7091-9130	ARBRE DE BROCHE/MANCHON DE PALIER	1
31	7091-9160	MOTEUR	1
32	2700-0046	FILTRE, EMI, 115/250 V, 3A, 50-60 Hz	2
33	7091-9120	ENTRAÎNEMENT DU MOTEUR	1

ÉLÉMENT	D'ARTICLE	DESCRIPTION	QTÉ
34	3300-0409	POIGNEE, M4 X 96MM LG, ANODISE NOIRE	1
35	3300-0465	BUS LINEAIRE, .75 IDX1.250DX1.63 LG, FRELON-LINED	2
36	7091-0210	ARBRE DE GUIDAGE	2
37	7091-0450	COUVERTURE, BASE	1
38	7091-0540	BOUTON DE BOUTON	1
39	7091-0670	PANNEAU ACRYLIQUE	3
40	7091-0850	POULIE DE DISTRIBUTION MODIFIEE, ARBRE DE BROCHE	1
41	3300-0403	JOINT TORIQUE, 8,3 MM ID X 13,1 MM OD X 2,4 MM CS., BUNA-N	1
42	3300-0557	COURROIE DE DISTRIBUTION, TS6500	1
43	2800-0838	VIS, SET, M4 X 5MM, EXT. POINT, ACIER, BLK.	2
44	7091-0840	POULIE DE DISTRIBUTION MODIFIEE, ARBRE DE MOTEUR	3

16.2 Tableau des numéros de pièces Techkit

TAILLE	RÉFÉRENCE	LONGUEUR DE TIGE	TYPE DE KIT
2.5 oz. (60ml)	250-61T	6" (152mm)	Barre collée
	250-81T	8" (203mm)	Barre collée
	250-60	6" (152mm)	Injection
	250-80	8" (203mm)	Injection
6.0 oz. (160ml)	600-61T	6" (152mm)	Barre collée
	600-81T	8" (203mm)	Barre collée
	600-60	6" (152mm)	Injection
	600-80	8" (203mm)	Injection
8.0 oz. (220ml)	800-61T	6" (152mm)	Barre collée
	800-81T	8" (203mm)	Barre collée
	800-60	6" (152mm)	Injection
	800-80	8" (203mm)	Injection
20 oz. (550ml)	200-81T	8" (203mm)	Barre collée
	200-80	8" (203mm)	Injection
1/10 gal (310ml)	110-81T	8" (203mm)	Barre collée
	110-80	8" (203mm)	Injection



LOCAL DISPENSING SOLUTIONS WORLD WIDE

**Techcon Systems Corporate Headquarters,
10800 Valley View Street, Cypress, California, 90630,
USA.**

Tel: 1-714-230-2398, Fax: 1-714-230-2393

E-mail: [oemorders@okinternational.com](mailto: OEMorders@okinternational.com)

**Techcon Systems European Corporate Office,
Eagle Close, Chandler's Ford Industrial Estate,
Eastleigh, Hampshire, SO53 4NF, UK.**

Tel: +44 2380 489 100, Fax: +44 2380 489 109

E-mail: [europe-orders@okinternational.com](mailto: europe-orders@okinternational.com)

Or visit www.techcon.com